

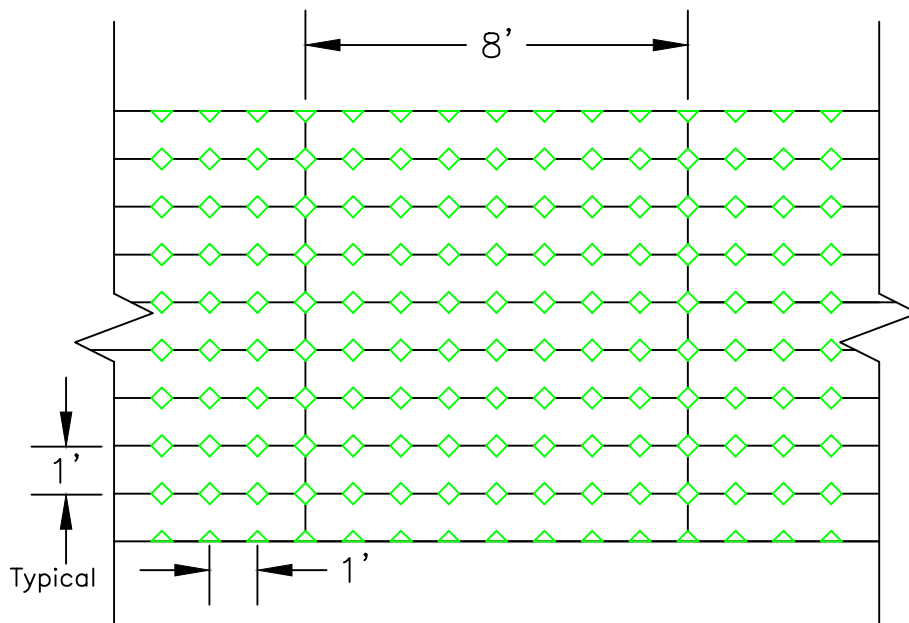
Premier ICF Installation Instructions

- 1.) Study all details thoroughly prior to starting Premier ICF installation.
- 2.) Footings shall be level, square, and of sufficient width to support the Premier ICF System.
- 3.) Layout concrete wall dimensions on footings with chalk lines.
- 4.) Install outside toe plate (see PICF-001 for no toe plate installation method), vertical outside corner, T-intersection and opening braces. Plumb and secure all bracing. (PICF-002, PICF-004, PICF-005) The contractor is responsible for providing adequate bracing of the Premier ICF system.
- 5.) Install first course of Premier ICF. Level as required. (PICF-001, PICF-002, PICF-009)
- 6.) Install inside toe plate (PICF-002 or for no toe plate installation method see PICF-001).
- 7.) Install all courses of Premier ICF wall starting from corners. Cut planks to fit wall.
- 8.) Place rebar vertically and horizontally as required. Use Premier ICF Tie® rebar cradles for positioning of the horizontal reinforcing. Do not drag rebar over ties.
- 9.) Maximum unsupported distance horizontally or vertically is 7”.
- 10.) For openings (i.e., windows, doors, etc.) and wall terminations, consult Premier ICF details.
- 11.) Install walkway and vertical braces (PICF-002, PICF-002a) or other approved methods to support workers. This walkway may be used to plumb the wall.
- 12.) Concrete should be 5” slump, 3,000–4,000 psi strength, and maximum $\frac{3}{4}$ ” aggregate size.
- 13.) Plywood and bracing materials should be available at the job site for remediation of unforeseen circumstances that may occur during the concrete pouring operations.
- 14.) Service temperature of Premier ICF Tie® is 20°F (–7°C) or warmer.

Updated 12-12-21

PREMEIR ICF

TITLE:
Installation Recommendations



Notes:

- 1.) R-Shield MPS insulated concrete form.
- 2.) Premier ICF Ties® @ 12" o.c., each direction.
- 3.) Use Premier ICF Half Ties® at top and bottom of wall.
- 4.) Concrete wall thickness varies with Premier ICF Tie® size.
- 5.) Pour concrete in max. 4' vertical lifts for walls up to 8" thick and max. 2' vertical lifts for walls thicker than 8".
- 6.) R-Shield MPS boards are typically 12" x 96" (nominal).
- 7.) Field modifications to forms may be made provided the maximum unsupported MPS distance horizontally or vertically is 7".
- 8.) If field cutting MPS boards, install a Premier ICF Tie® @ all slot locations & joints, even if spaced closer than 12".
- 9.) Joints in MPS planks do not need to be staggered.
- 10.) Do not use cracked or damaged MPS planks or Premier ICF.
- 11.) Set factory cut corner pieces first. Build from corners to middle of wall, using field cut pieces as needed to complete wall.

Elevation

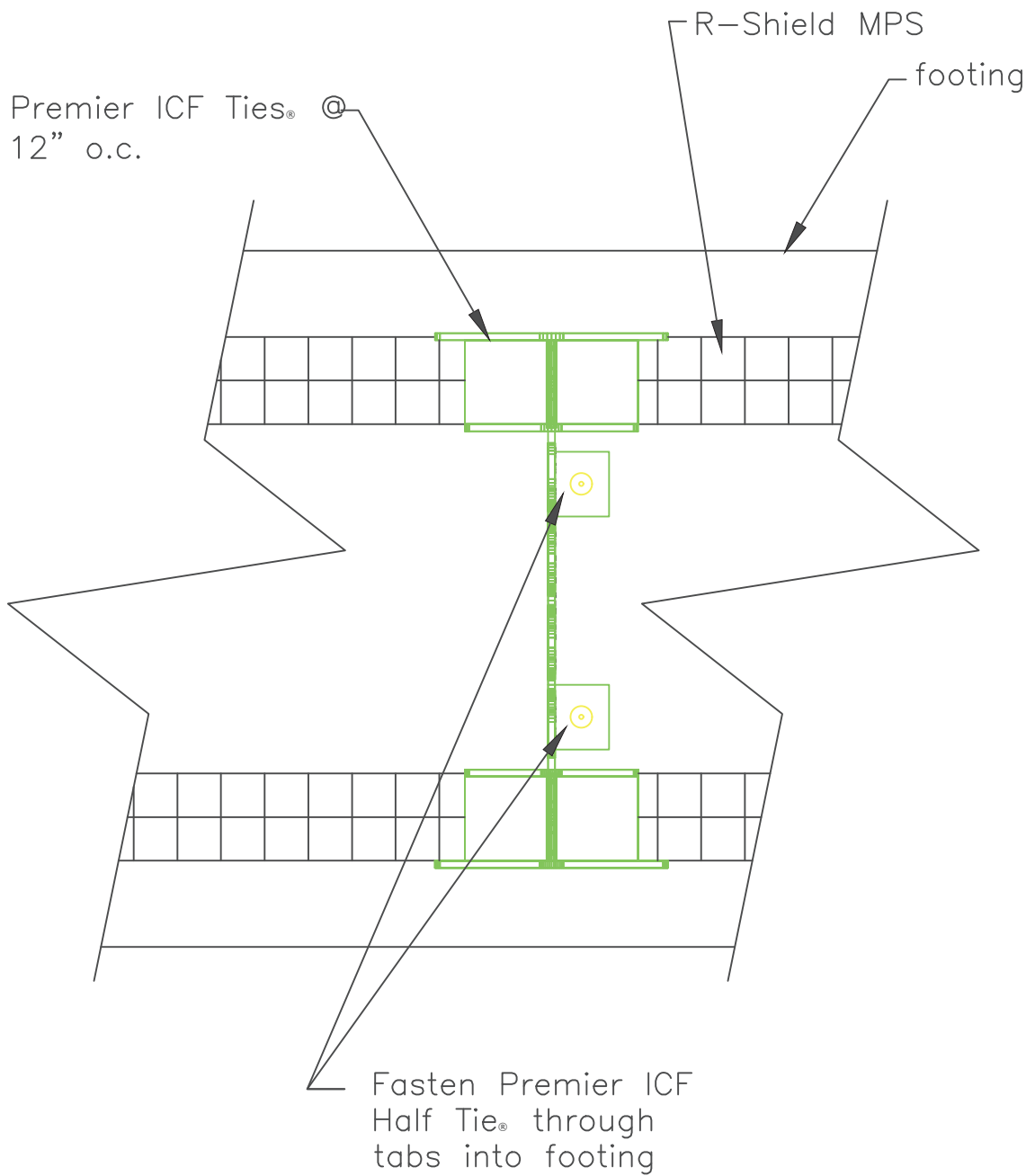
Scale: NTS

Updated 12-12-21

PREMIER ICF

TITLE:
Typical Wall Elevation

NO.
PICF-000



Section

Scale: NTS

Updated 12-12-21

PREMIER ICF

TITLE: Starter Course
Half Tie to Footing

NO.
PICF-001

Bracing: Site-built wood system

Handrail 2x attached to vertical 2x.

2-2x ledgers for attaching planks.

Kicker to brace and plumb wall @ 6'-0" o.c. max.

2x brace for stabilizing legs.

Vertical 2x's laid flat to Premier ICF. Space @ 6'0" o.c. max.

Screw vertical 2x to half tie and first full tie. Use coarse threaded drywall screws, 2 each tie. Plumb ICF System before fastening vertical 2x to ties

24" min suggested

R-Shield MPS

Plank for walking.

Premier ICF Ties @ 12" o.c. each way

Wall cavity for concrete. Reinforce as req'd with rebar horizontally and vertically.

2X4 toe plate, nail to footing, each side. See detail PICF-001 for no toe plate installation.

Footing

Section

Scale: NTS

Updated 12-12-21

PREMIER ICF

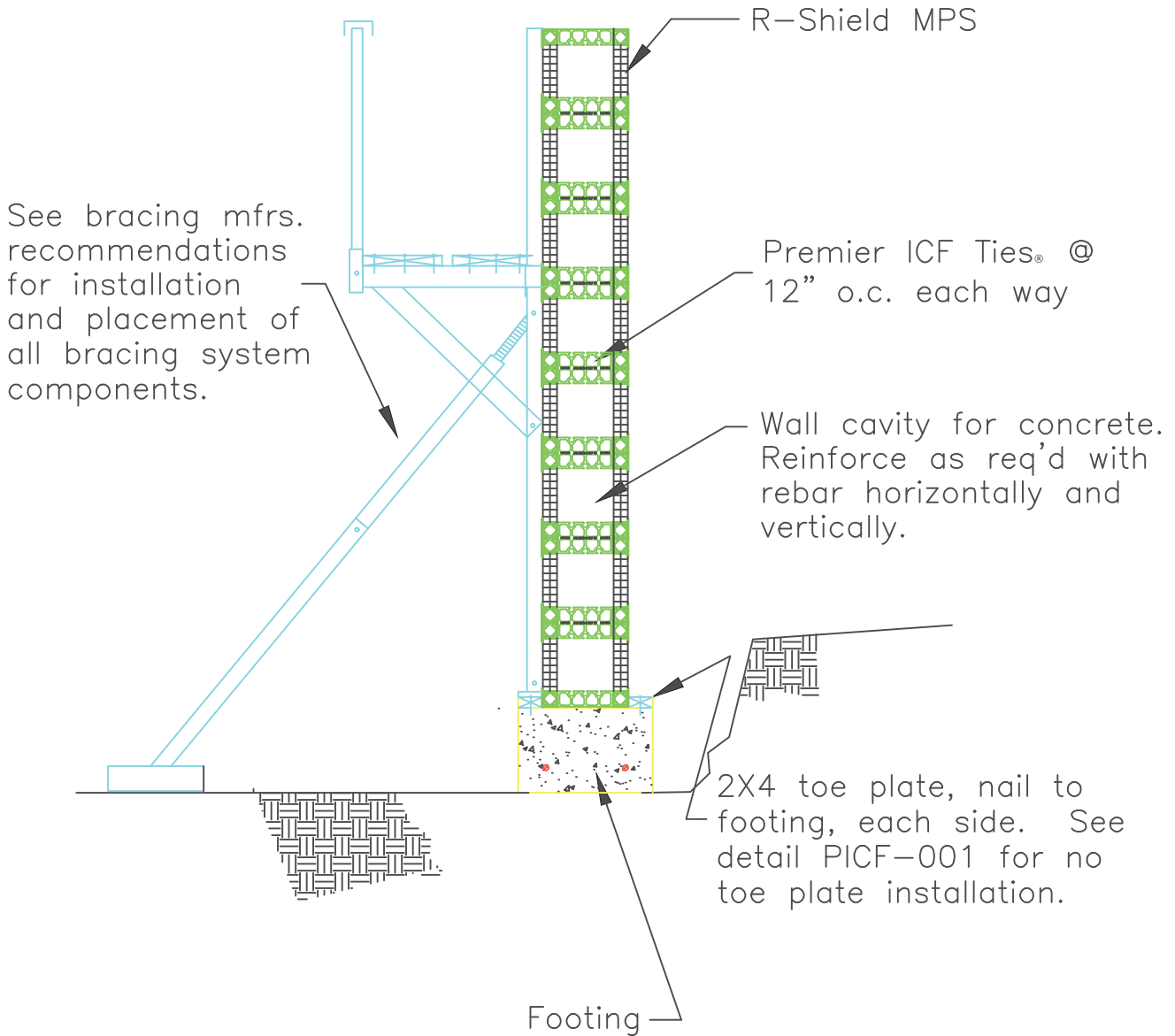
TITLE:

Typical Wall Section

NO.

PICF-002

Bracing: Metal Panel Jack™ System.



Section

Scale: NTS

Updated 12-12-21

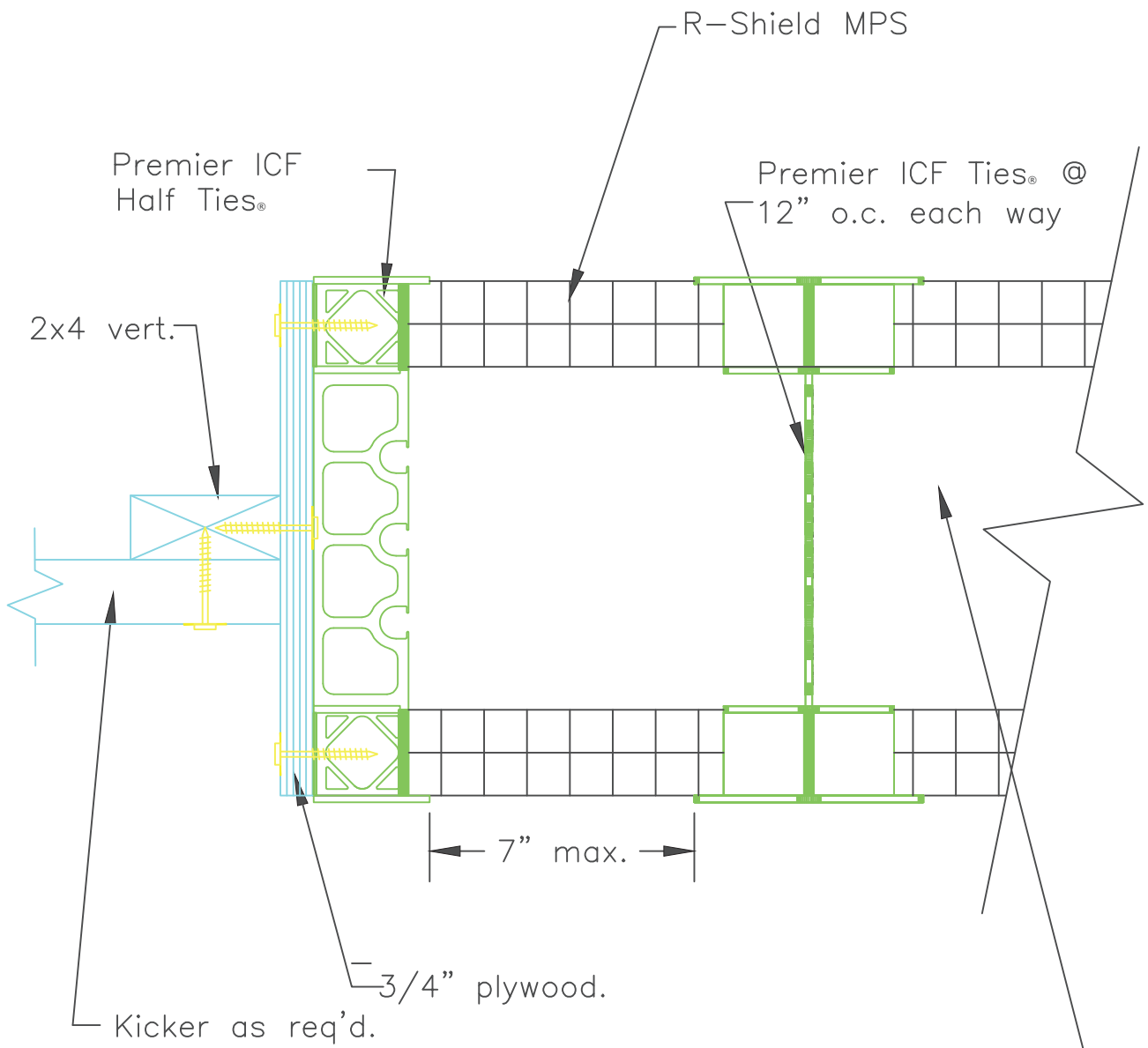
PREMIER ICF

TITLE:

Typical Wall Section

NO.

PICF-002a



Wall cavity for concrete.
 Reinforce as req'd with
 rebar horizontally and
 vertically.

Section

Scale: NTS

Updated 12-12-21

PREMIER ICF

TITLE: Wall Closure

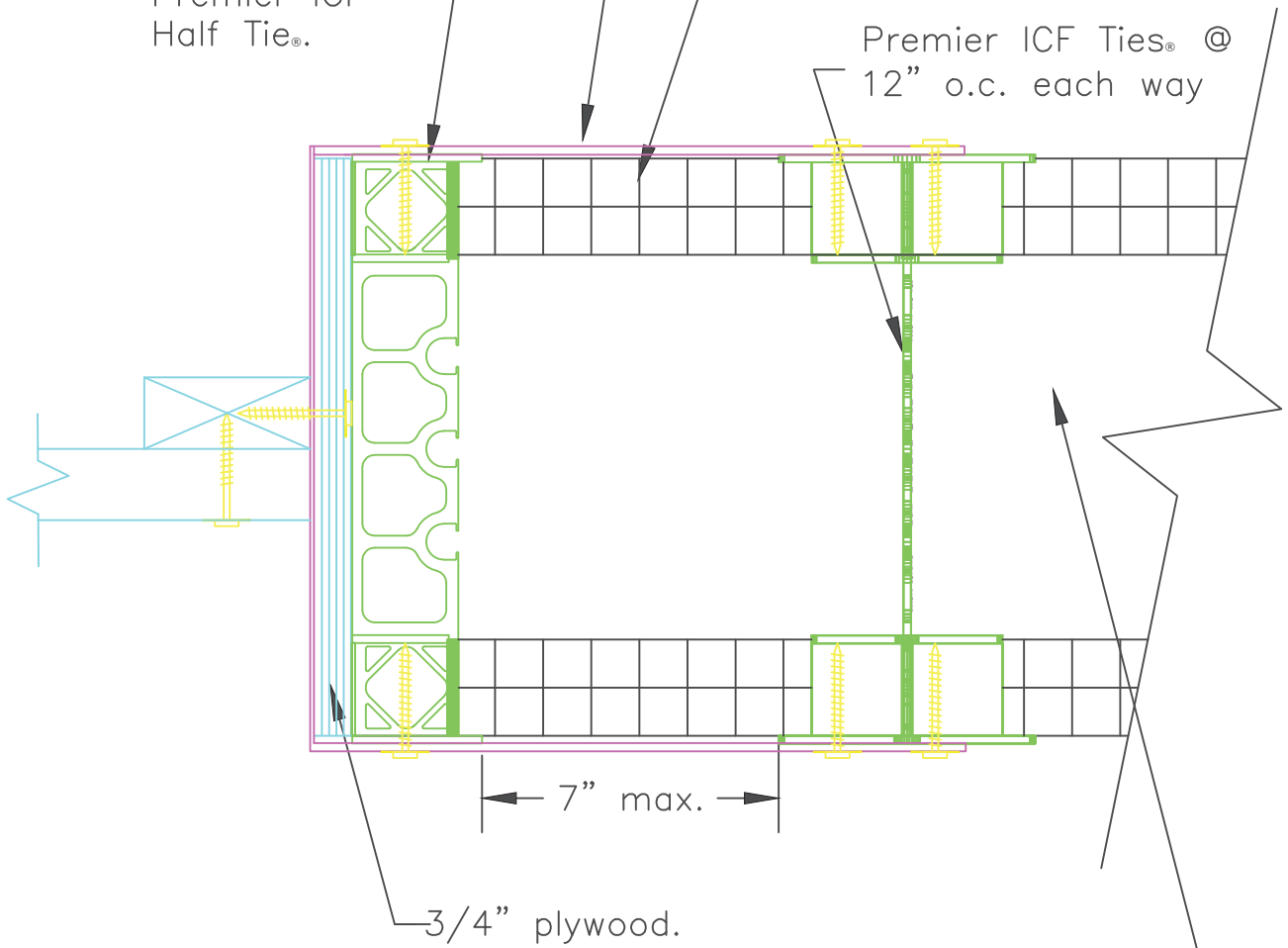
NO. PICF-003

Metal strapping @ 12" o.c. vertically, fastened to Premier ICF Ties.

Premier ICF Half Tie.

R-Shield MPS

Premier ICF Ties @ 12" o.c. each way



Wall cavity for concrete. Reinforce as req'd with rebar horizontally and vertically.

Section

Scale: NTS

Updated 12-12-21

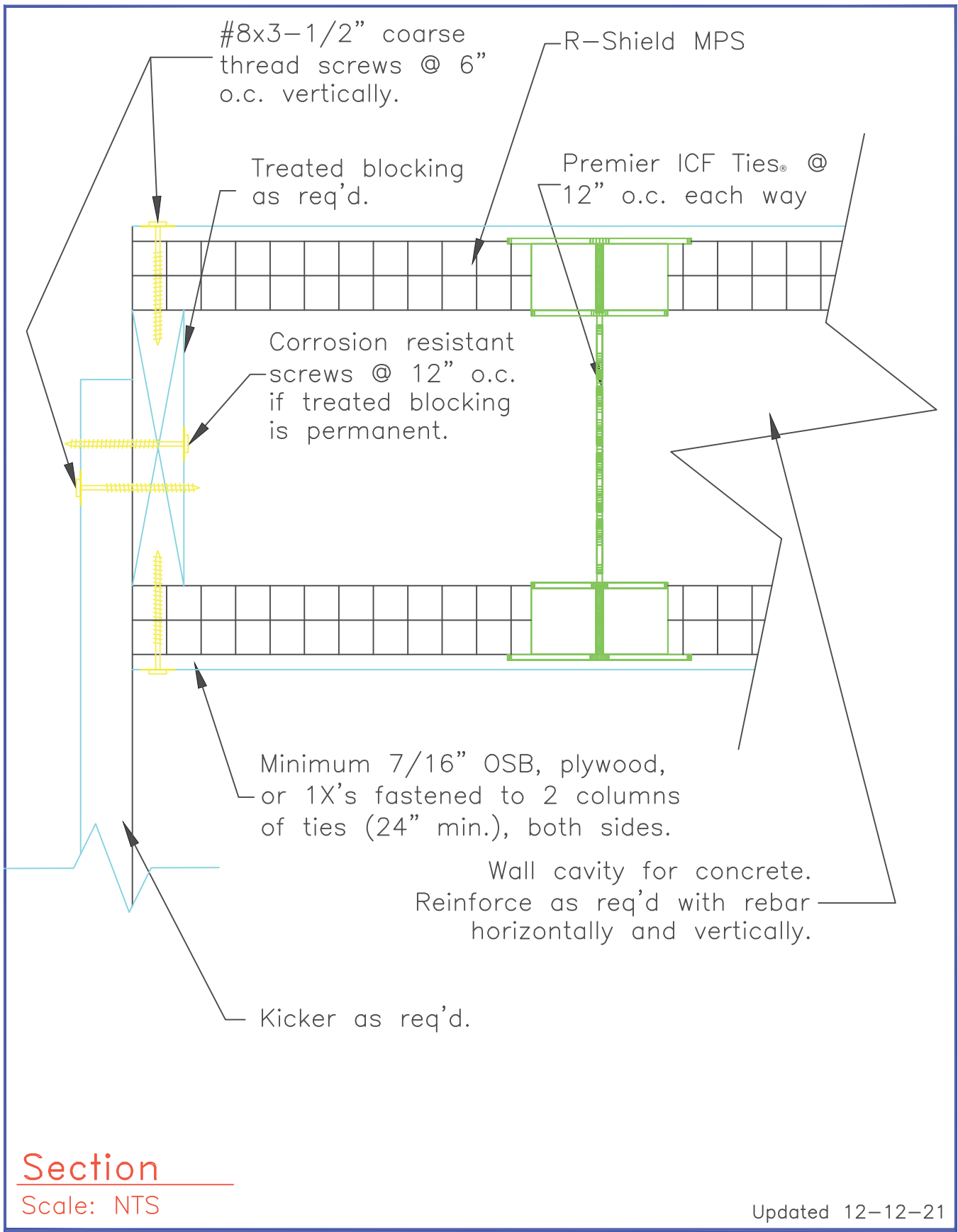
PREMIER ICF

TITLE:

Wall Closure

NO.

PICF-003a



PREMIER ICF

TITLE:

Wall End Closure

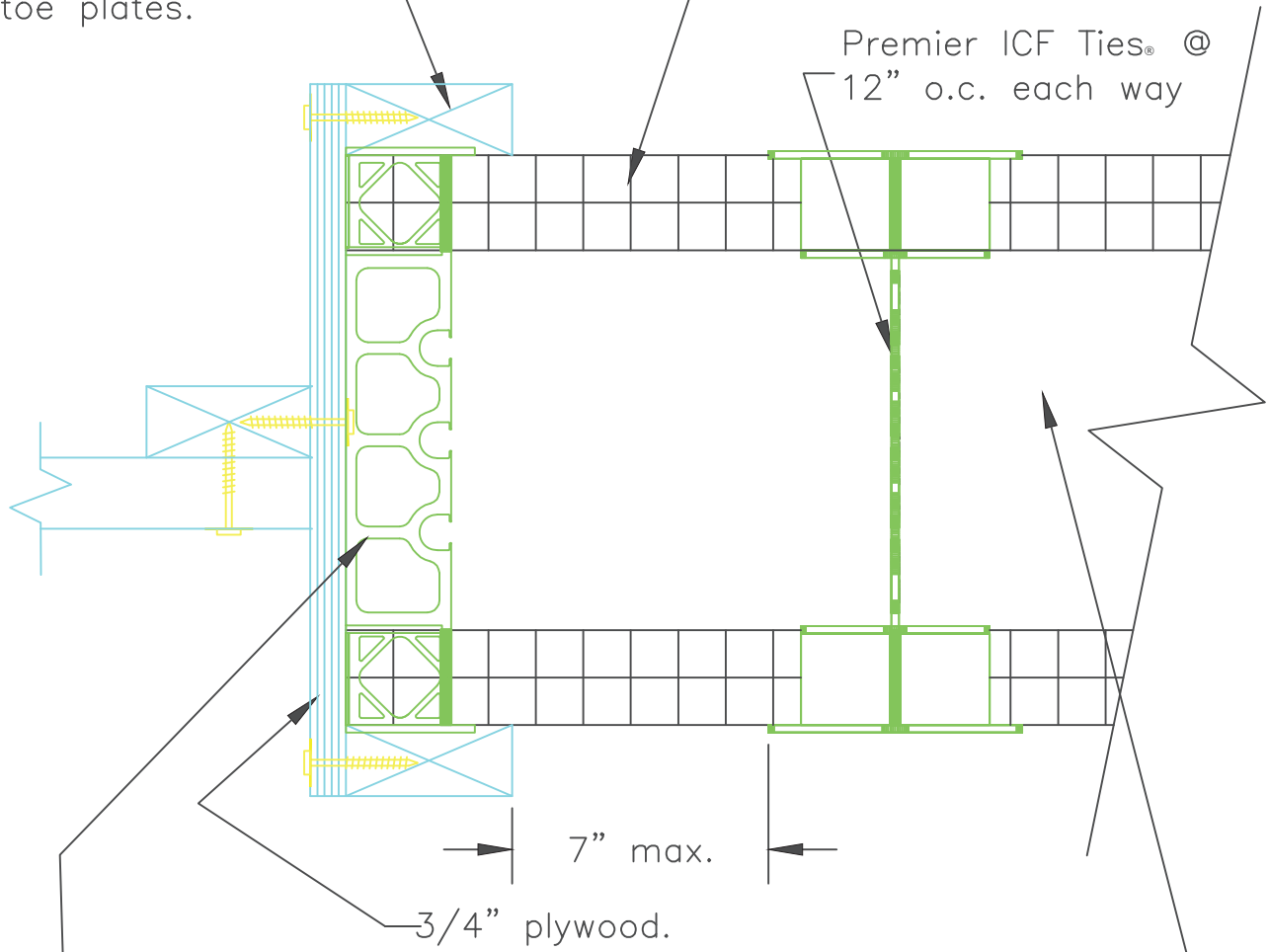
NO.

PICF-003b

2x4 vertical brace
fasten to bottom
toe plates.

R-Shield MPS

Premier ICF Ties® @
12" o.c. each way



Premier ICF Half
Ties® @ 12" o.c.

Wall cavity for concrete.
Reinforce as req'd with
rebar horizontally and
vertically.

Section

Scale: NTS

Updated 12-12-21

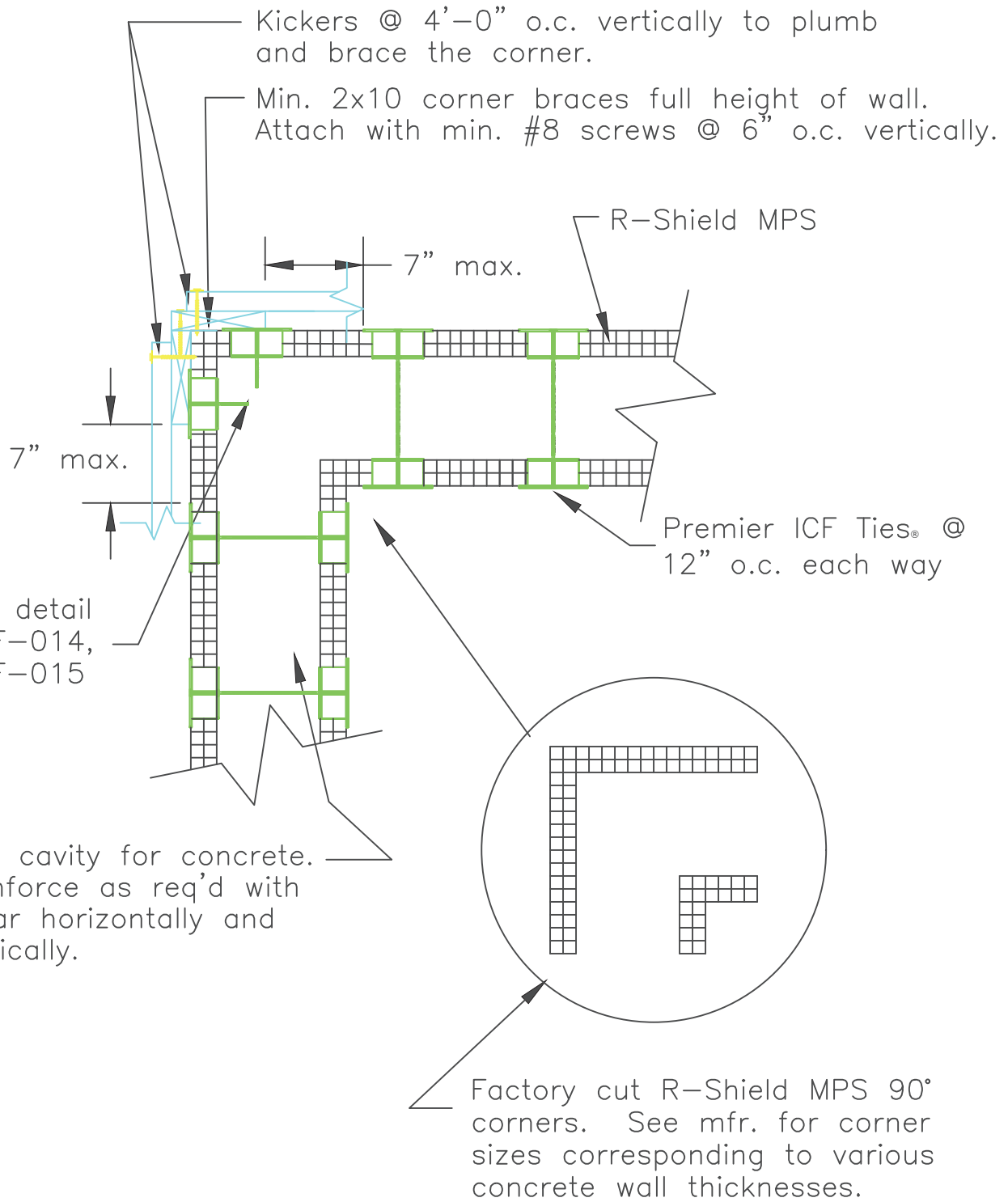
PREMIER ICF

TITLE:

Wall Closure

NO.

PICF-003c



Plan

Scale: NTS

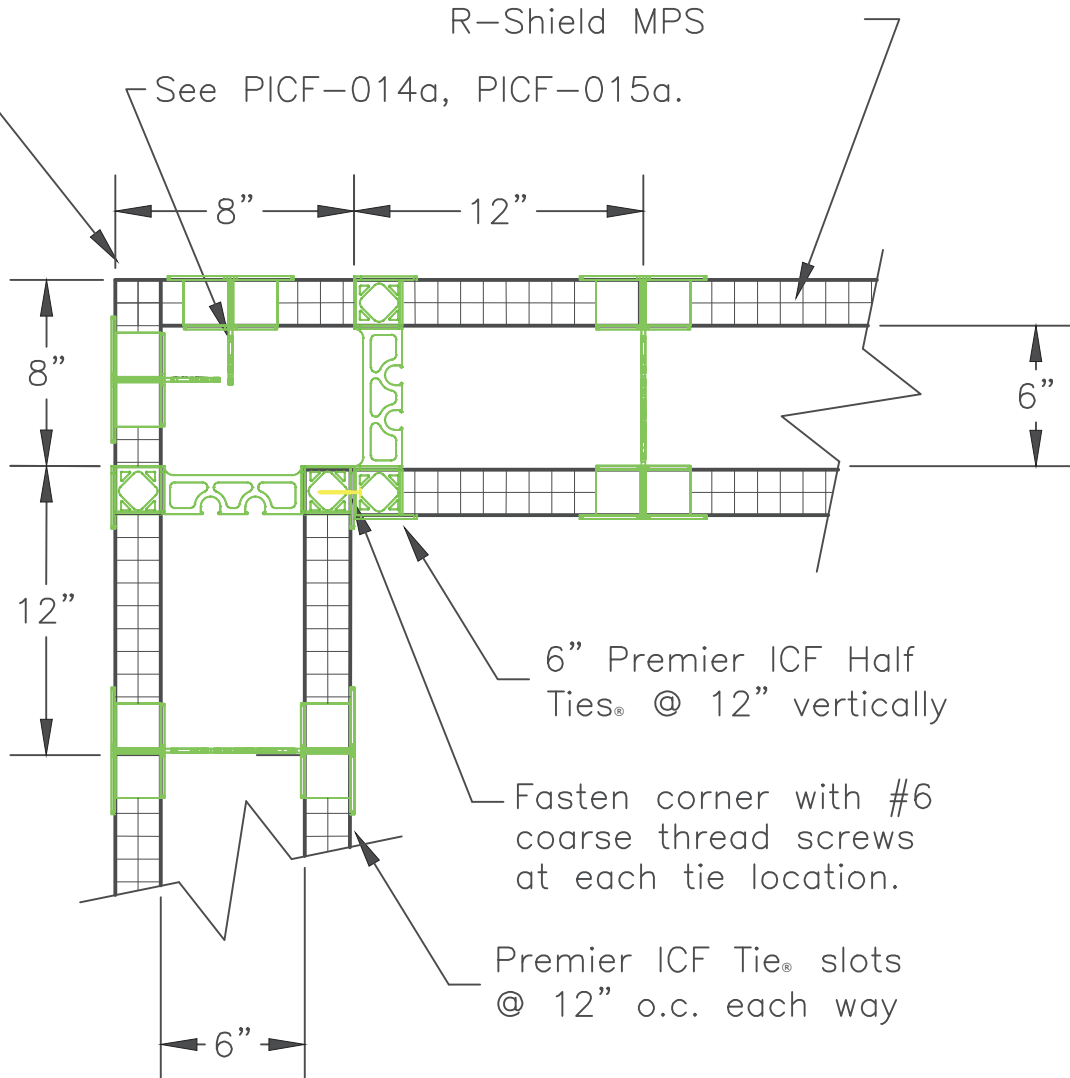
Updated 12-12-21

PREMIER ICF

TITLE: Factory Precut
90° Corner Detail

NO.
PICF-004

Note: See PICF-004, for corner bracing requirements.



Plan

Scale: NTS

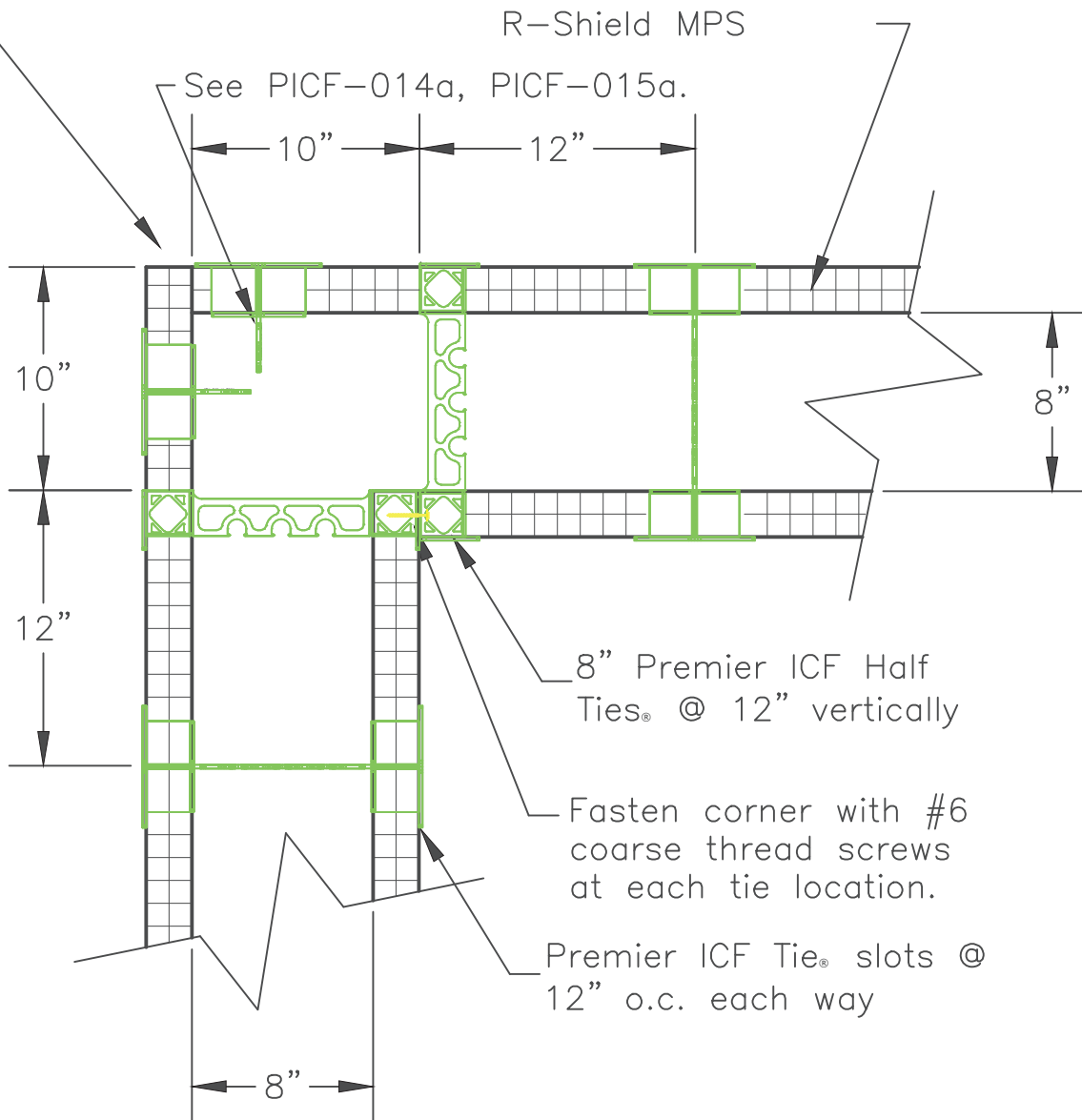
Updated 12-12-21

PREMIER ICF

TITLE:
6" Fly By Corner Detail

NO.
PICF-004a

Note: See PICF-004, for corner bracing requirements.



Plan

Scale: NTS

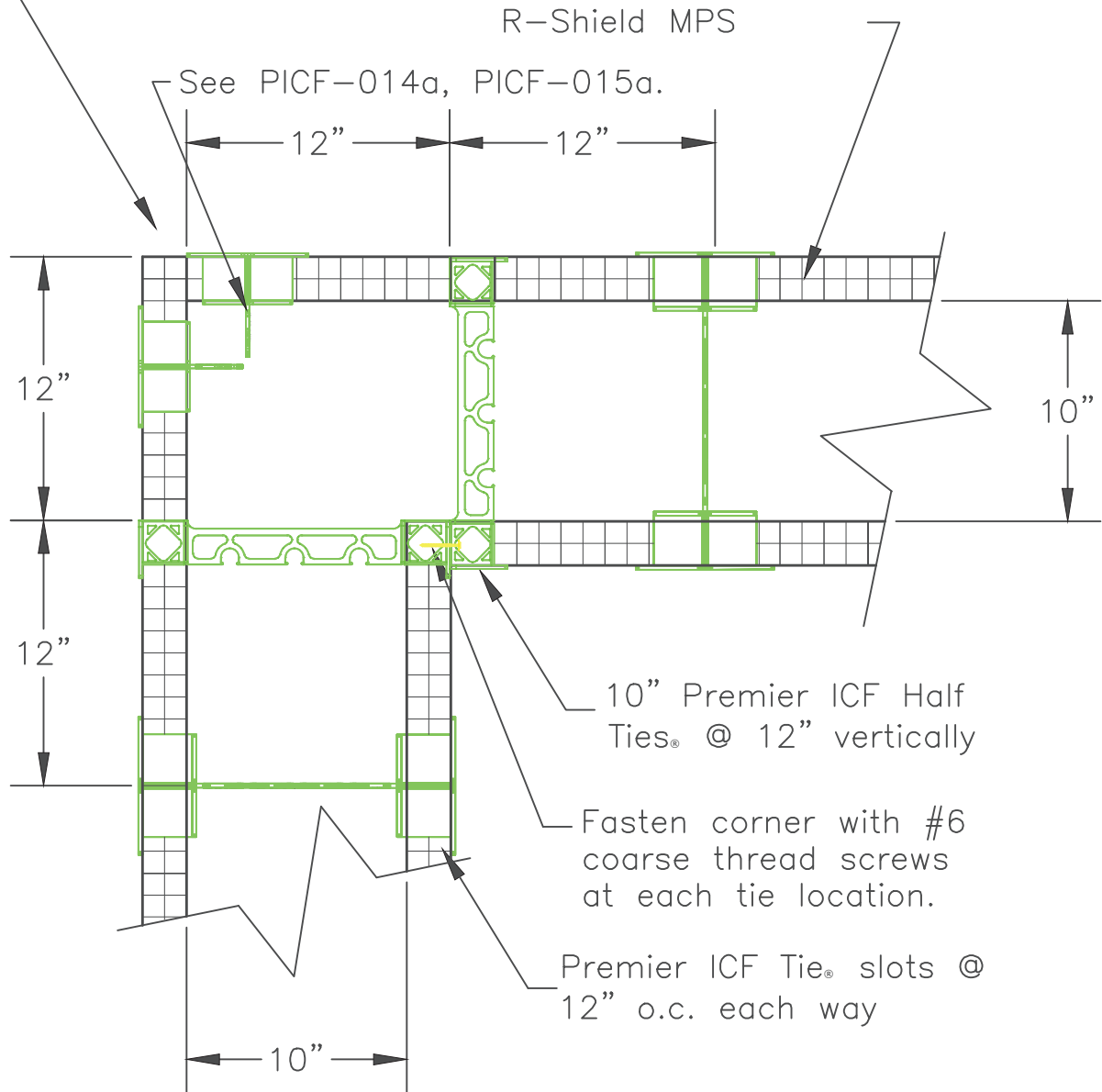
Updated 12-12-21

PREMIER ICF

TITLE:
8" Fly By Corner Detail

NO.
PICF-004b

Note: See PICF-004, for corner bracing requirements.



Plan

Scale: NTS

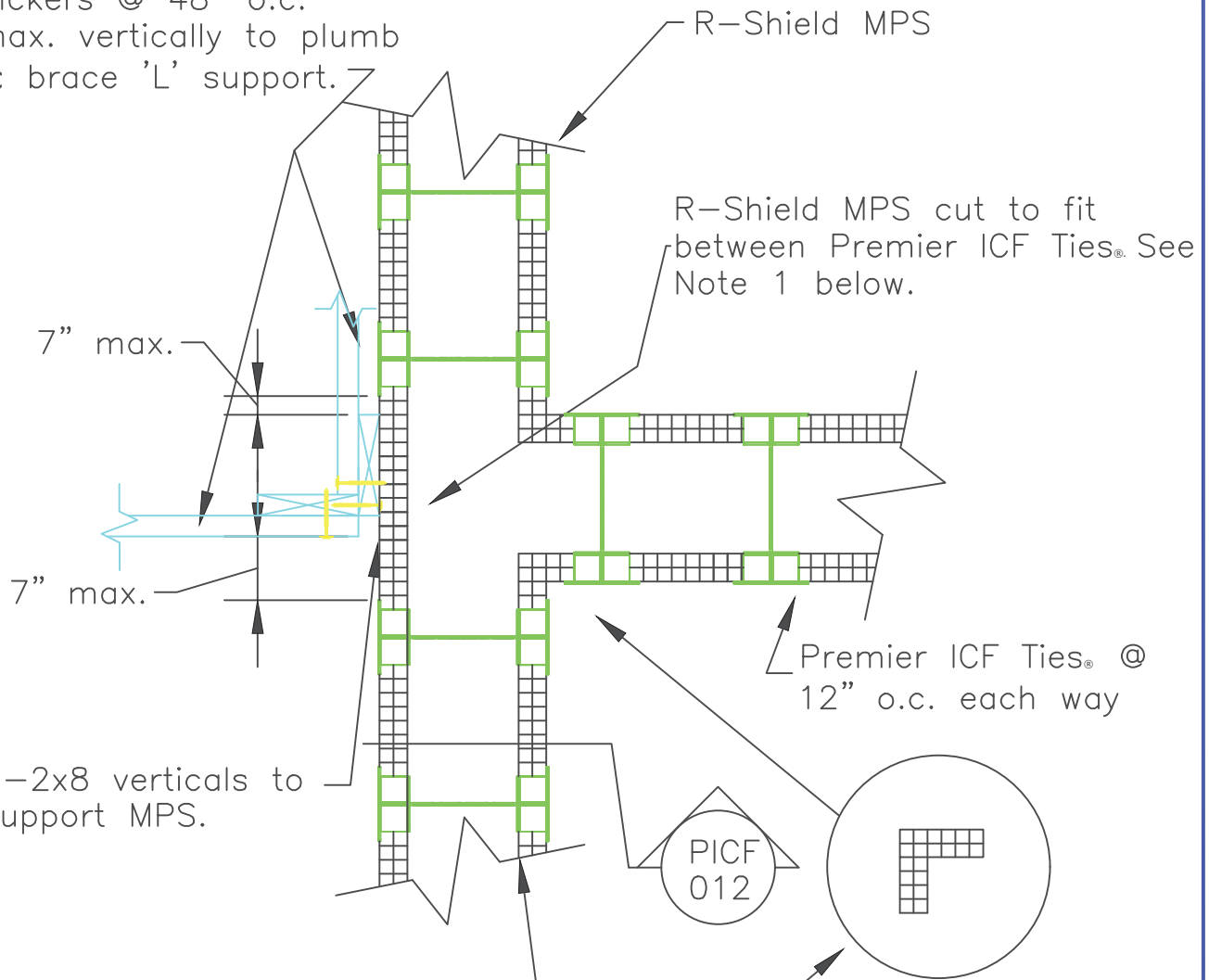
Updated 12-12-21

PREMIER ICF

TITLE:
10" Fly By Corner Detail

NO.
PICF-004c

Kickers @ 48" o.c.
 max. vertically to plumb
 & brace 'L' support.



Wall cavity for concrete.
 Reinforce as req'd with
 rebar horizontally and
 vertically.

Note 1:
 6" System = 18" piece
 8" System = 20" piece
 10" System = 22" piece

Factory cut R-Shield MPS 90°
 inside corners. See mfr. for
 corner sizes corresponding to
 various concrete wall thicknesses.

Plan

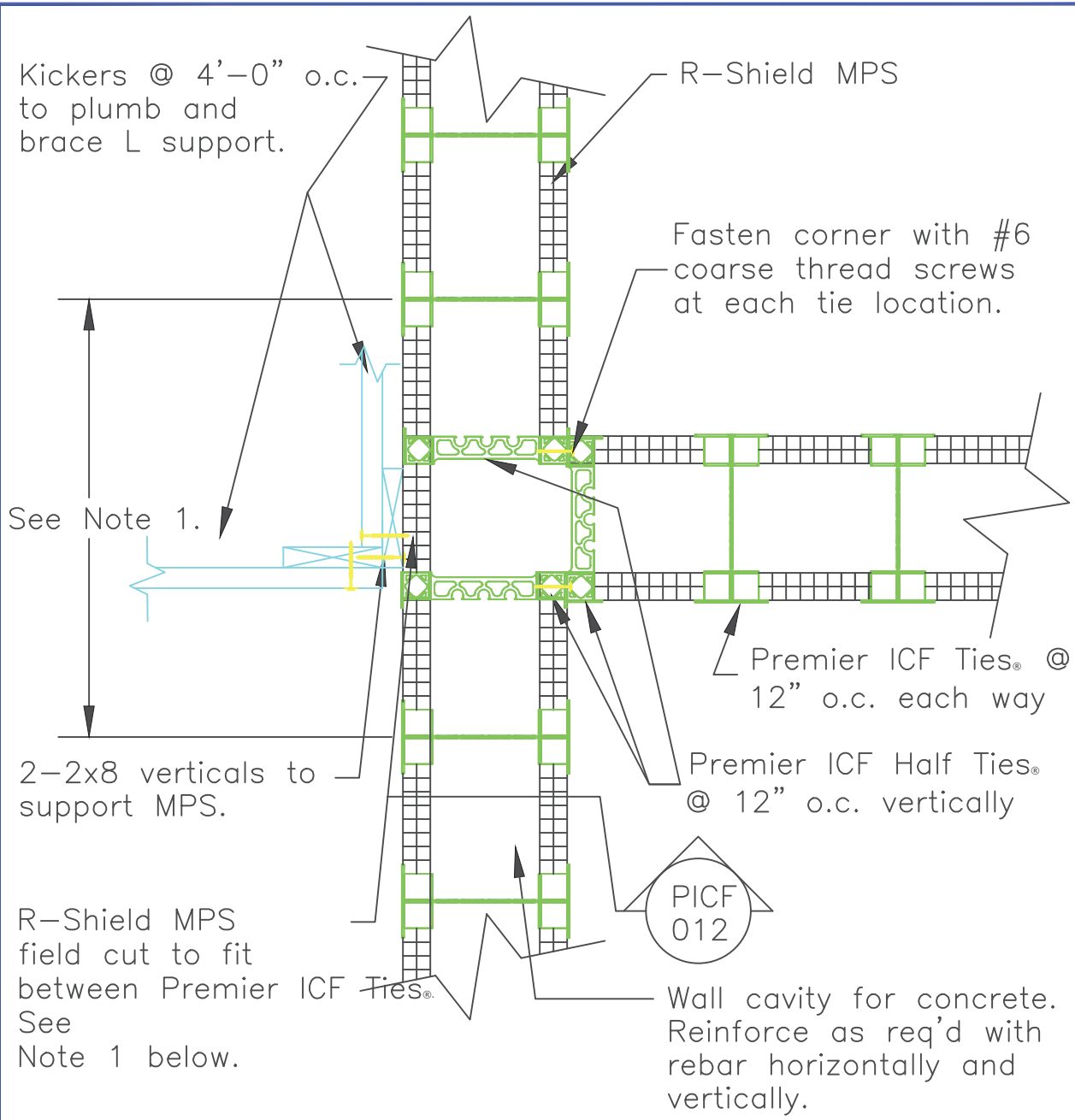
Scale: NTS

Updated 12-12-21

PREMIER ICF

TITLE:
 Wall Intersection Detail

NO.
 PICF-005



Note 1:
 6" System = 30" piece
 8" System = 32" piece
 10" System = 34" piece
 Field cut slots for Half Ties.

Plan
 Scale: NTS

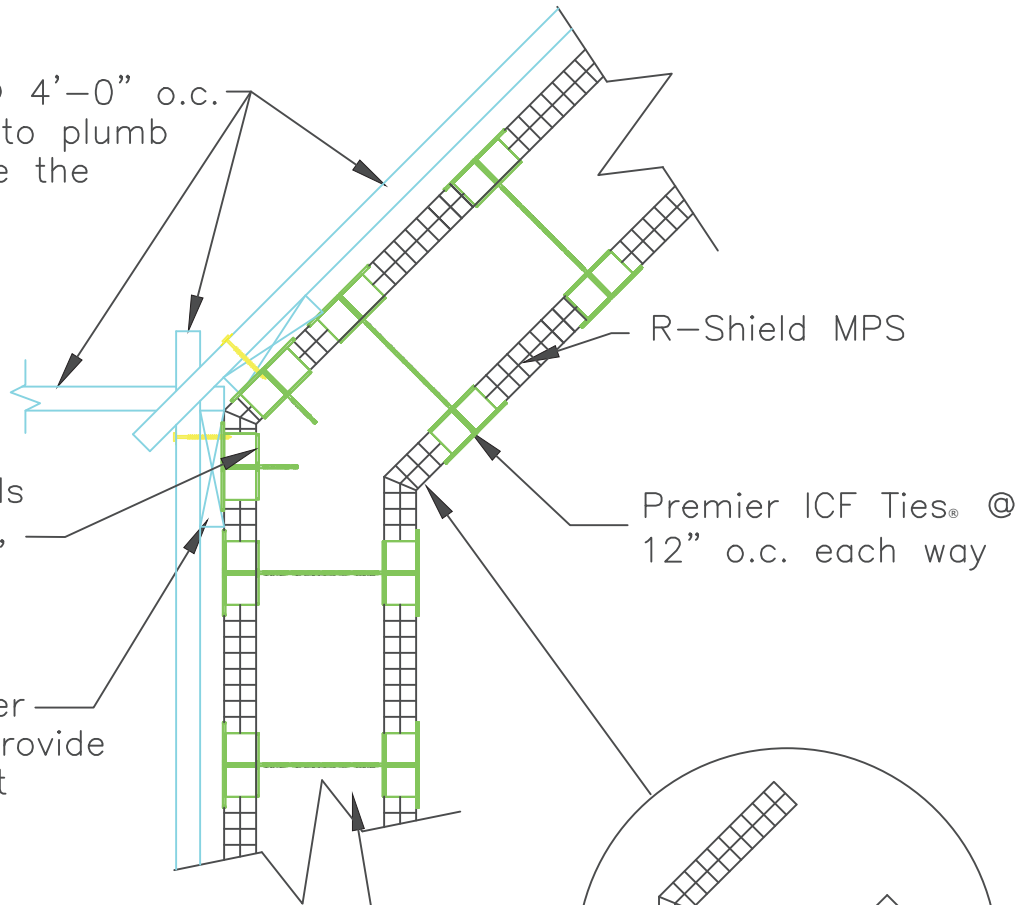
Updated 12-12-21

PREMIER ICF

TITLE: Wall Intersection Detail
 Full Plank Option

NO.
 PICF-005a

Kickers @ 4'-0" o.c. vertically to plumb and brace the corner.



See details PICF-014, PICF-015 (similar)

2x8 corner braces. Provide full height of wall.

Wall cavity for concrete. Reinforce as req'd with rebar horizontally and vertically.

Premier ICF Ties @ 12" o.c. each way

Factory cut R-Shield MPS custom angled corners. See mfr. for corner sizes corresponding to various concrete wall thicknesses.

Plan

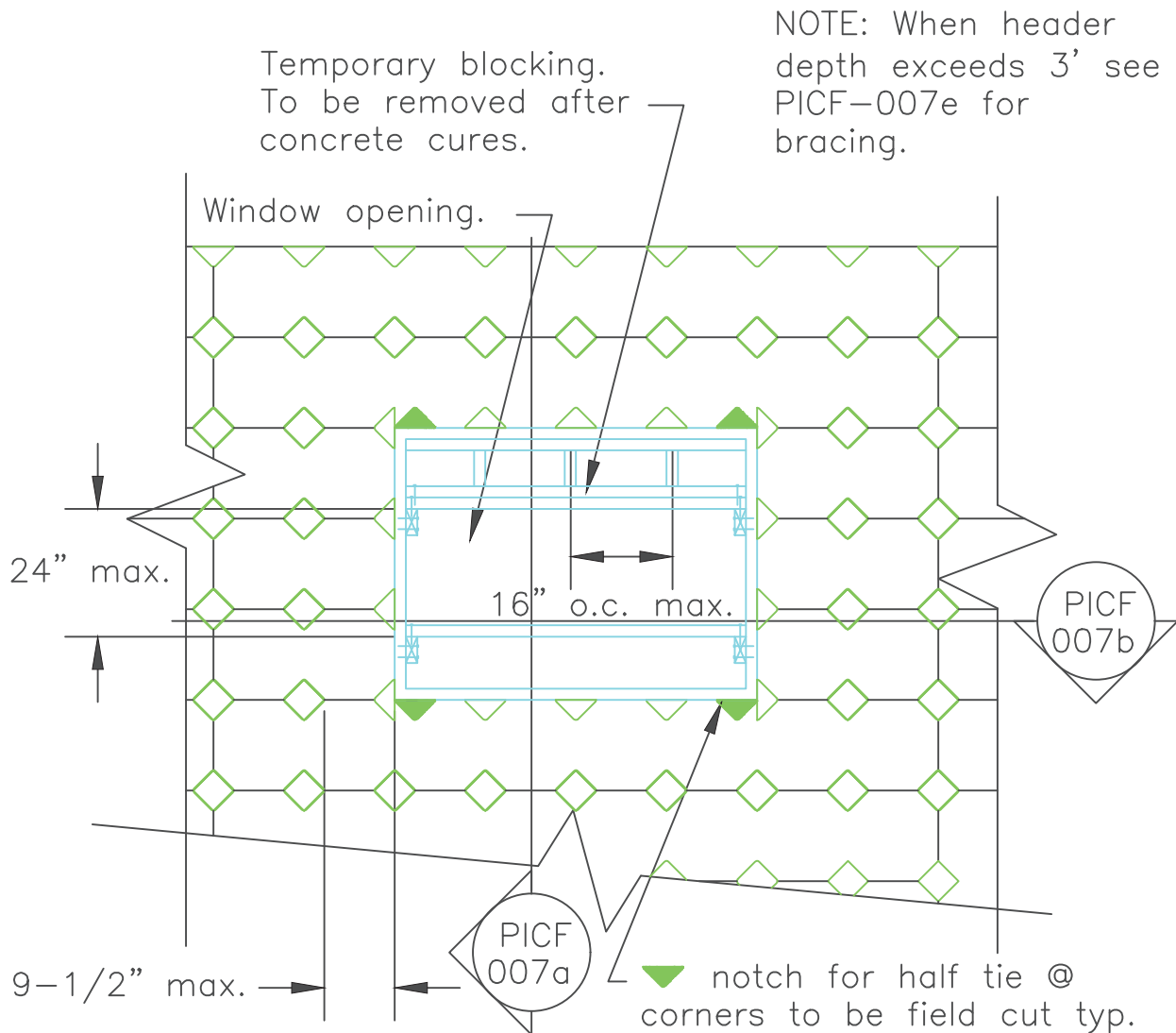
Scale: NTS

Updated 12-12-21

PREMIER ICF

TITLE: Factory Precut
45° Corner Detail

NO.
PICF-006



Notes:

- 1.) See details PICF-007a & PICF-007b for closure detail around the opening.
- 2.) Provide horizontal & vertical bracing to support blocking at the top & sides of the opening as required by opening size & forces developed from the concrete pressure & weight.
- 3.) Where wood blocking is to remain in place around the opening, use treated lumber.
- 4.) Once concrete is up to the level of the sill, screed off.
- 5.) Vinyl bucks may require different bracing. Follow vinyl buck manufacturer's installation recommendations.

Elevation

Scale: NTS

Updated 12-12-21

PREMIER ICF

TITLE:

Window Blockout

NO.

PICF-007

NOTE: When header depth exceeds 3' see PICF-007e for bracing.

R-Shield MPS

1-1/2" min.

3'0" max.

Temporary blocking. To be removed after concrete has cured.

Vertical treated wood blocking beyond

R.O.

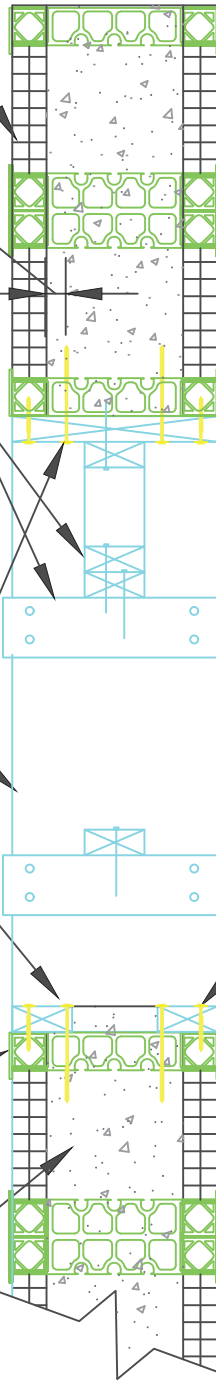
Premier wood screws or non-corrosive equal @ 12" o.c. max. Install prior to concrete pour.

Fasten treated lumber to Premier ICF Half Ties® w/ non-corrosive screws.

Premier ICF Half Ties®

Treated lumber typ.

Concrete



Section

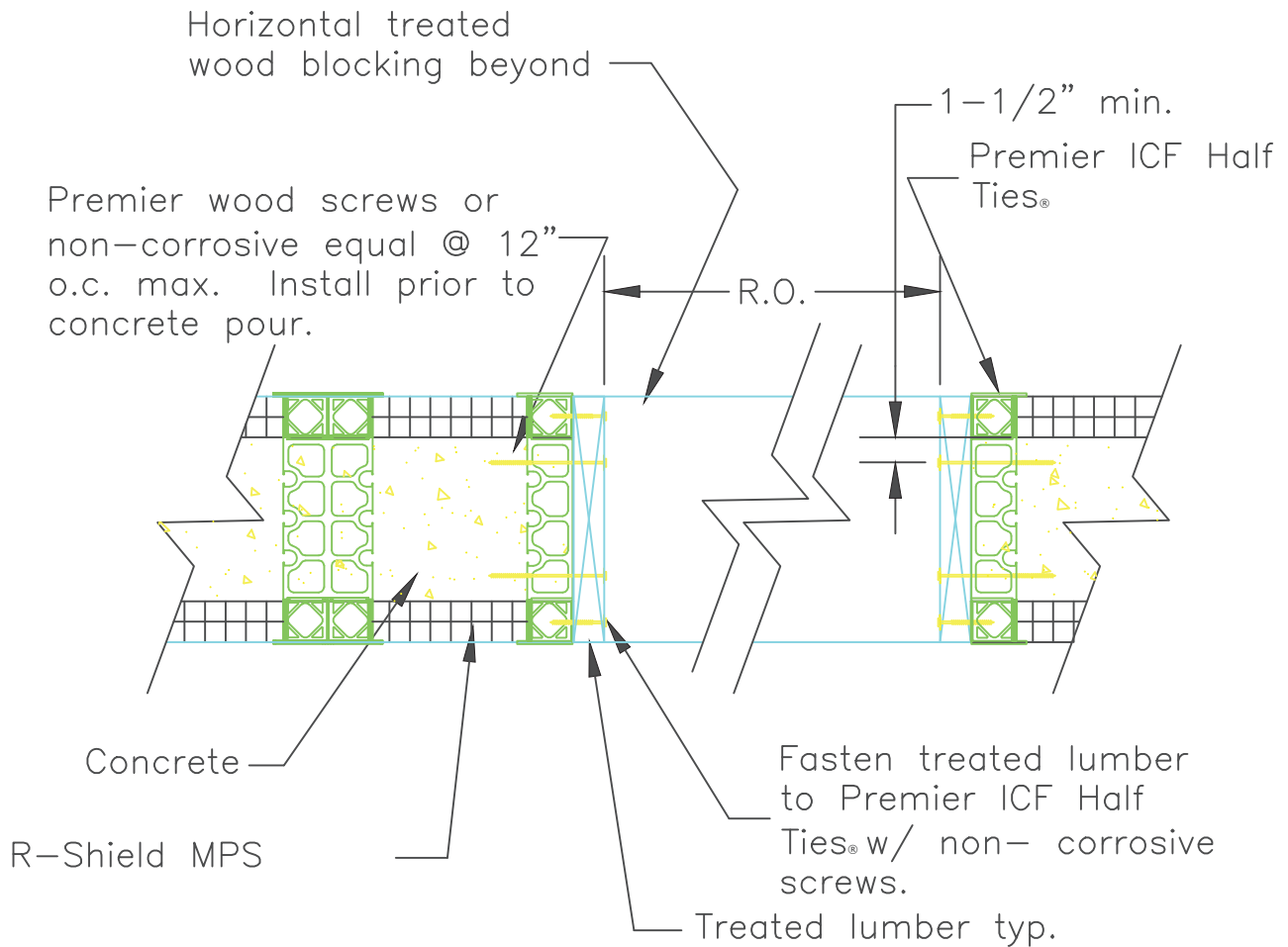
Scale: NTS

Updated 12-12-21

PREMIER ICF

TITLE: Wall Section
at Window Opening

NO.
PICF-007a



Section

Scale: NTS

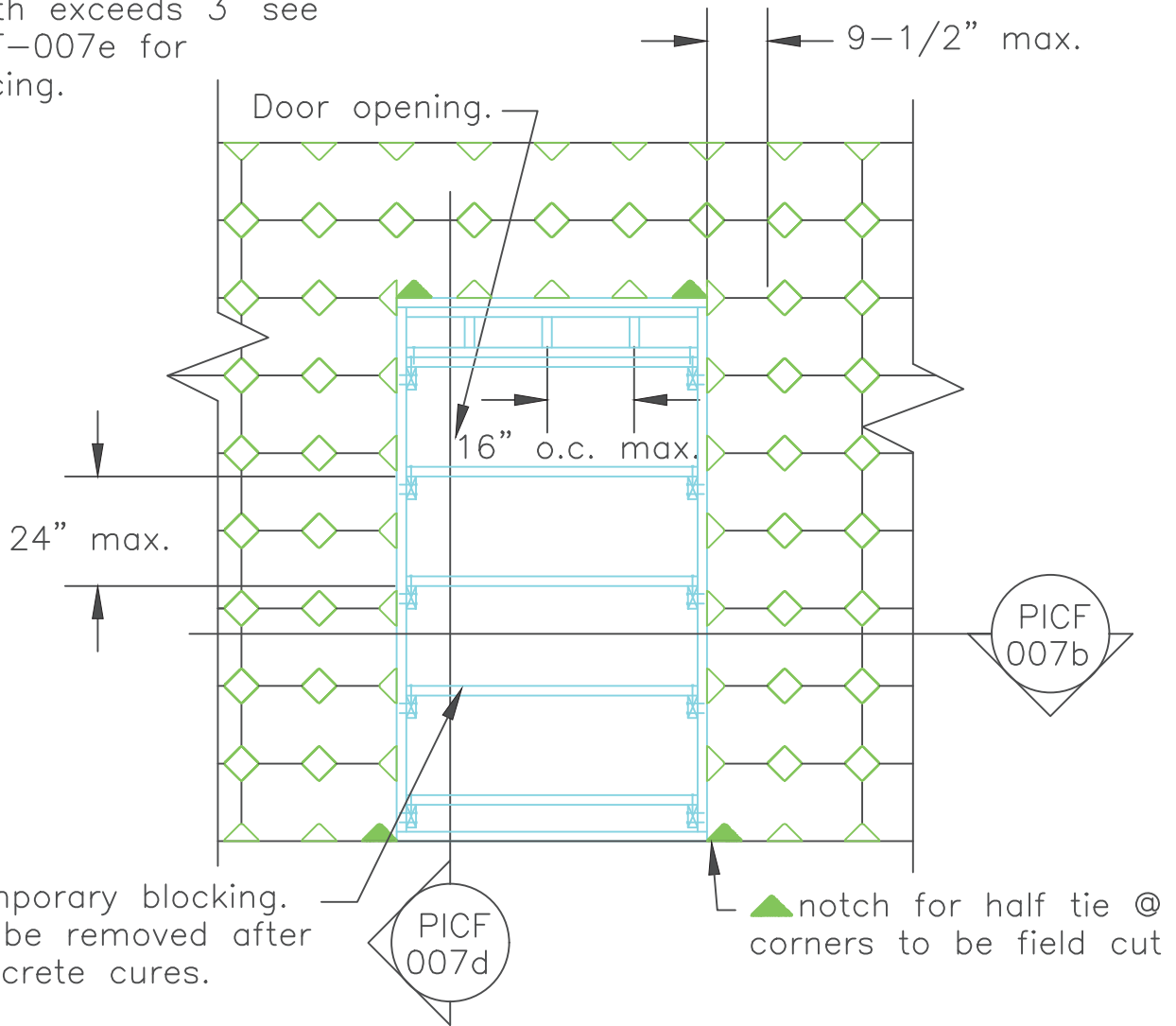
Updated 12-12-21

PREMIER ICF

TITLE: Wall Section at Window/Door Opening

NO.
PICF-007b

NOTE: When header depth exceeds 3' see PICF-007e for bracing.



Notes:

- 1.) See details PICF-007b & PICF-007d for closure detail around the opening.
- 2.) Provide horizontal & vertical bracing to support blocking at the top & sides of the opening as required by opening size & forces developed from the concrete pressure & weight.
- 3.) Where wood blocking is to remain in place around the opening, use treated lumber.
- 4.) Vinyl bucks may require different bracing. Follow vinyl buck manufacturer's installation recommendations.

Elevation

Scale: NTS

Updated 12-12-21

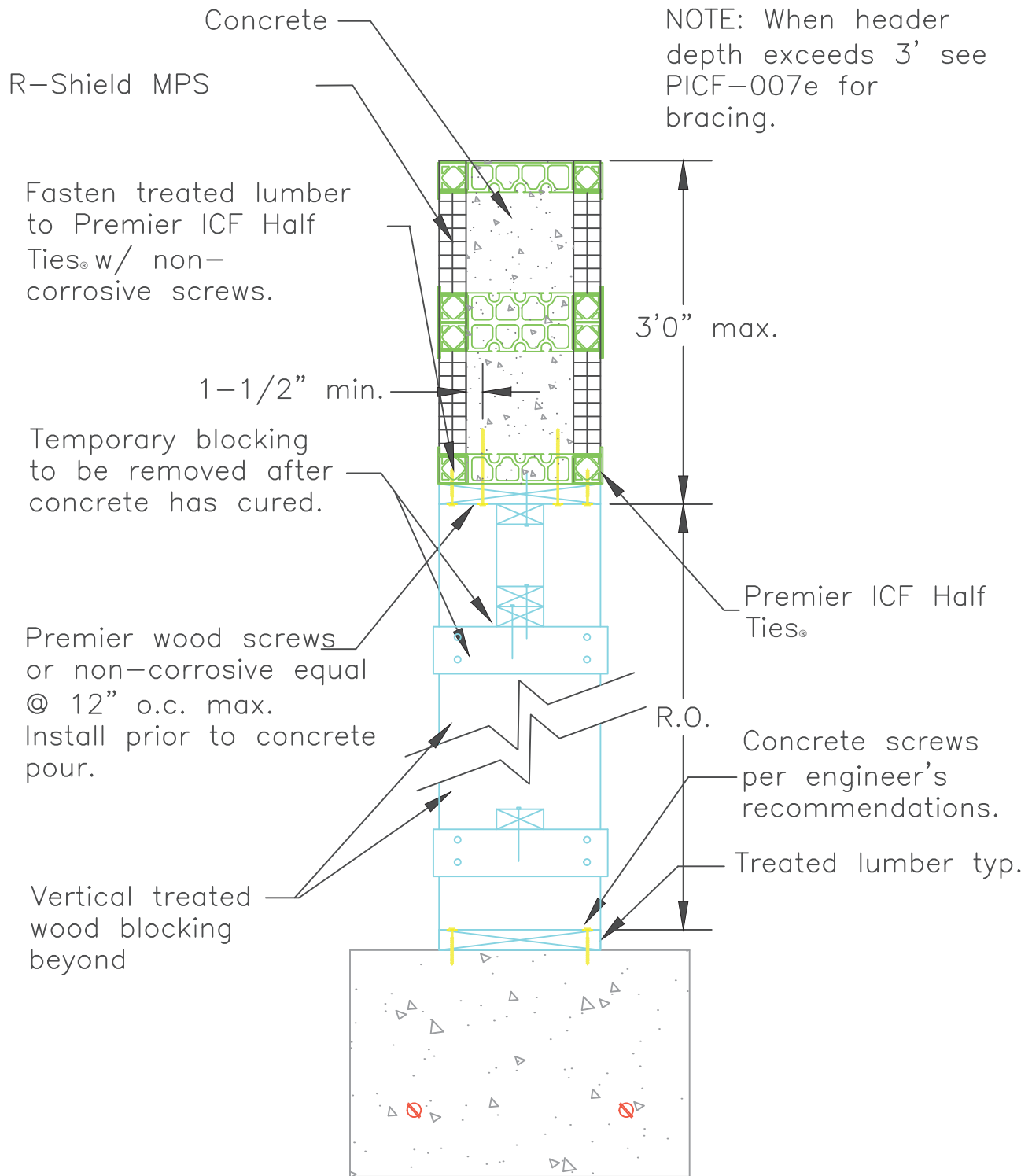
PREMIER ICF

TITLE:

Door Blockout

NO.

PICF-007c



Section

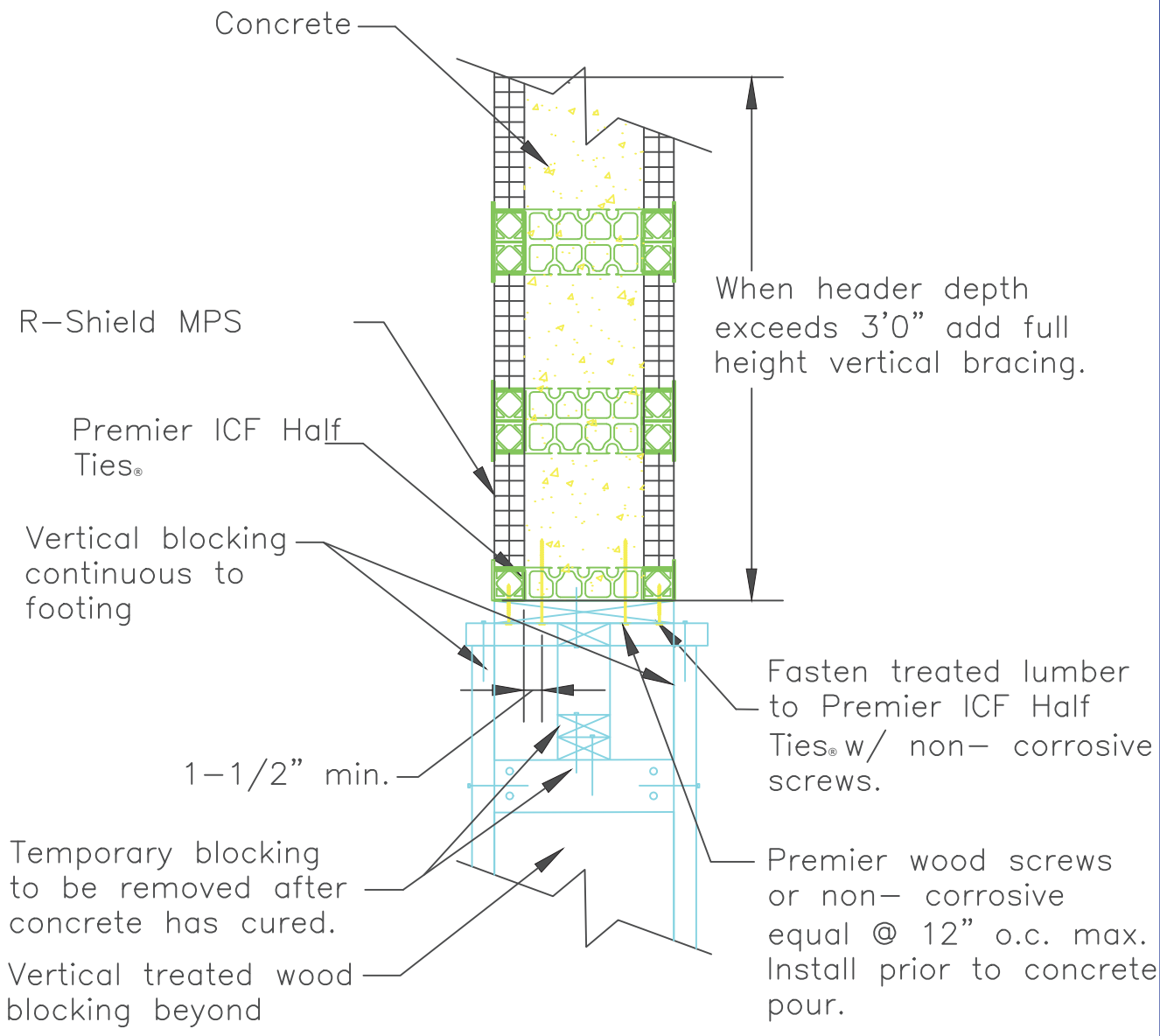
Scale: NTS

Updated 12-12-21

PREMIER ICF

TITLE: Wall Section at Door Opening

NO. PICF-007d



Section

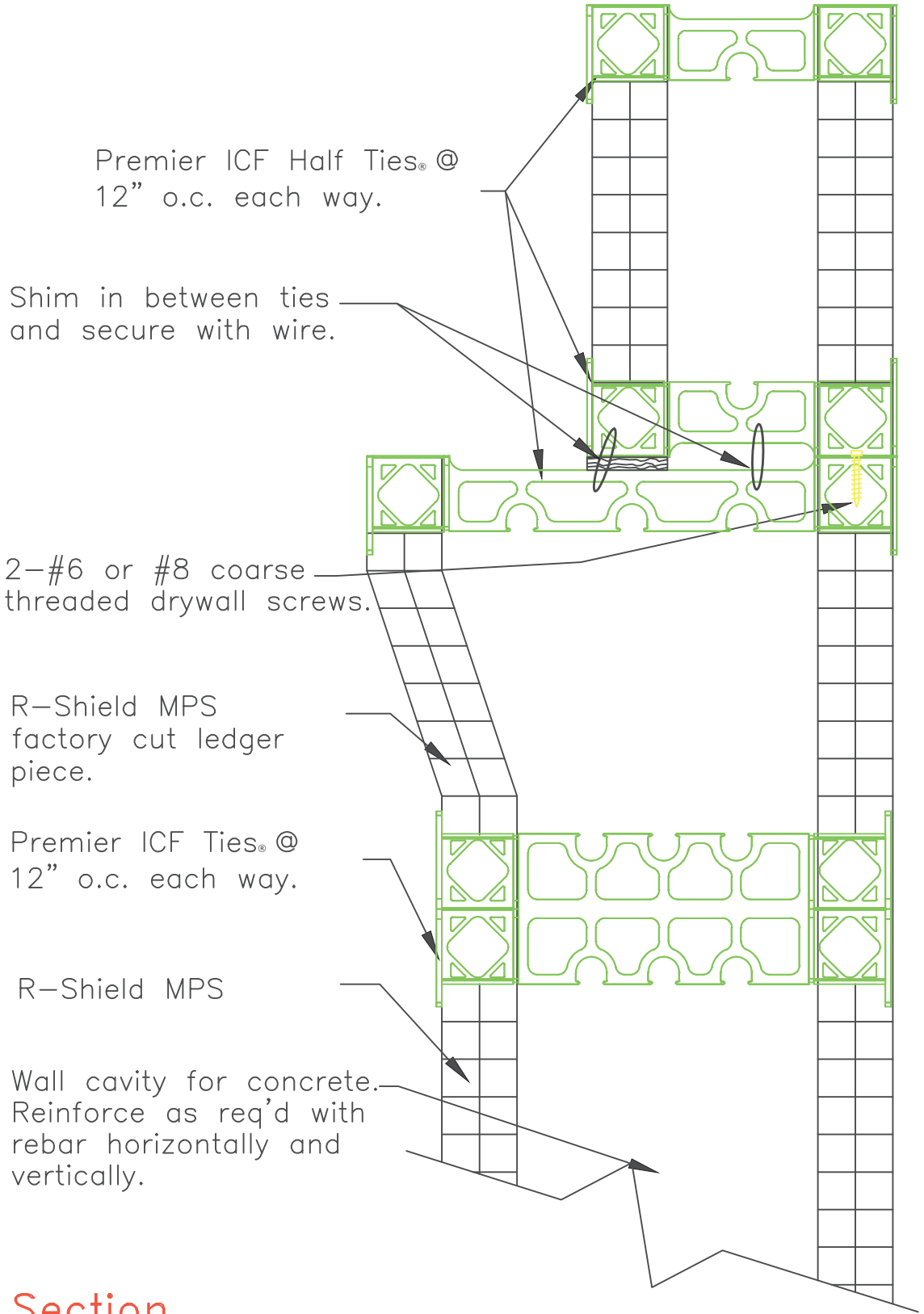
Scale: NTS

Updated 12-12-21

PREMIER ICF

TITLE: Header Section at Window/Door Opening

NO. PICF-007e



Premier ICF Half Ties® @
12" o.c. each way.

Shim in between ties
and secure with wire.

2-#6 or #8 coarse
threaded drywall screws.

R-Shield MPS
factory cut ledger
piece.

Premier ICF Ties® @
12" o.c. each way.

R-Shield MPS

Wall cavity for concrete.
Reinforce as req'd with
rebar horizontally and
vertically.

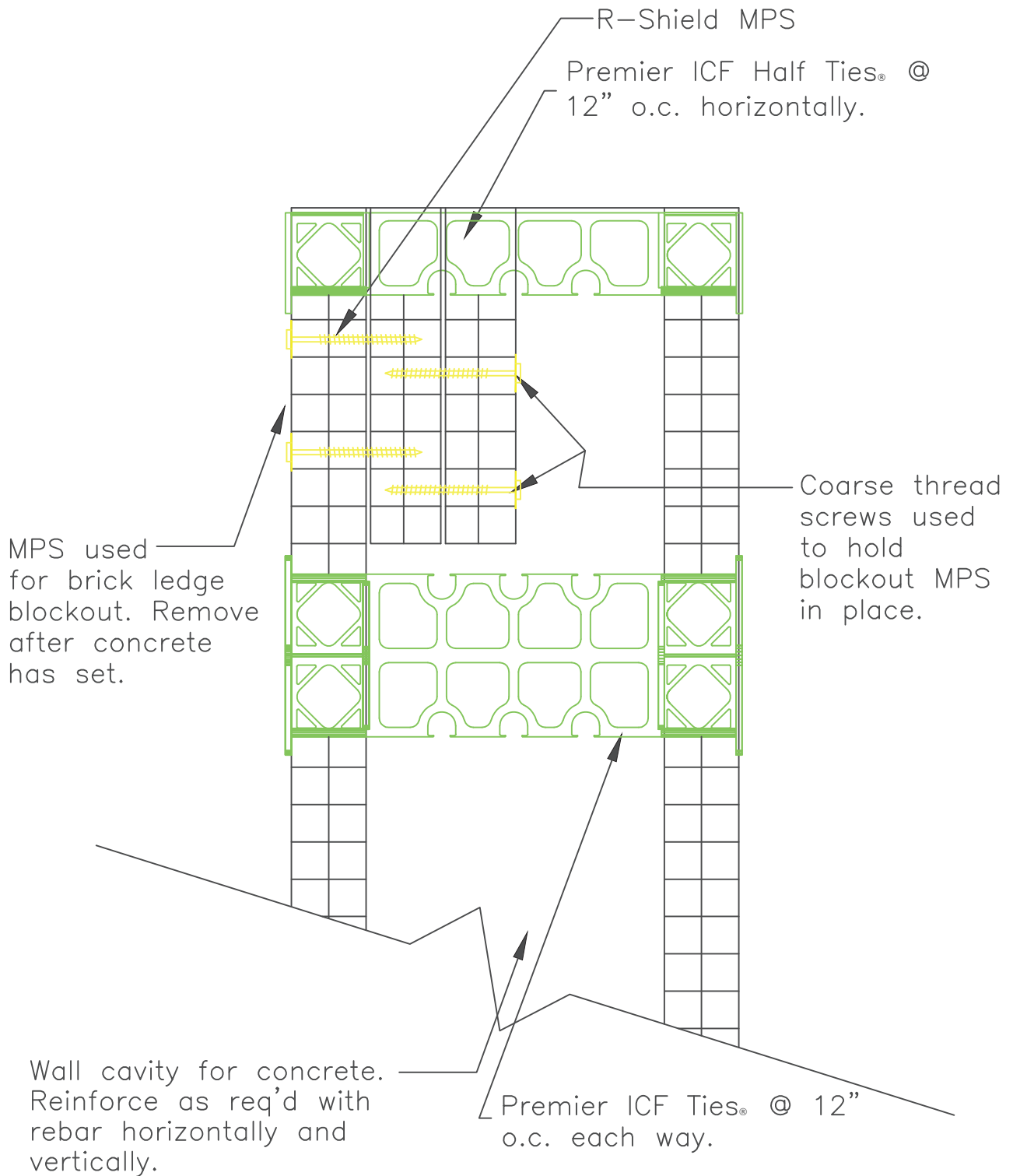
Section

Scale: NTS

Updated 12-12-21

PREMIER ICF

| | |
|-------------|----------|
| TITLE: | NO. |
| Brick Ledge | PICF-008 |



Section

Scale: NTS

Updated 12-12-21

PREMIER ICF

TITLE:

Brick Ledge Blockout

NO.

PICF-008a

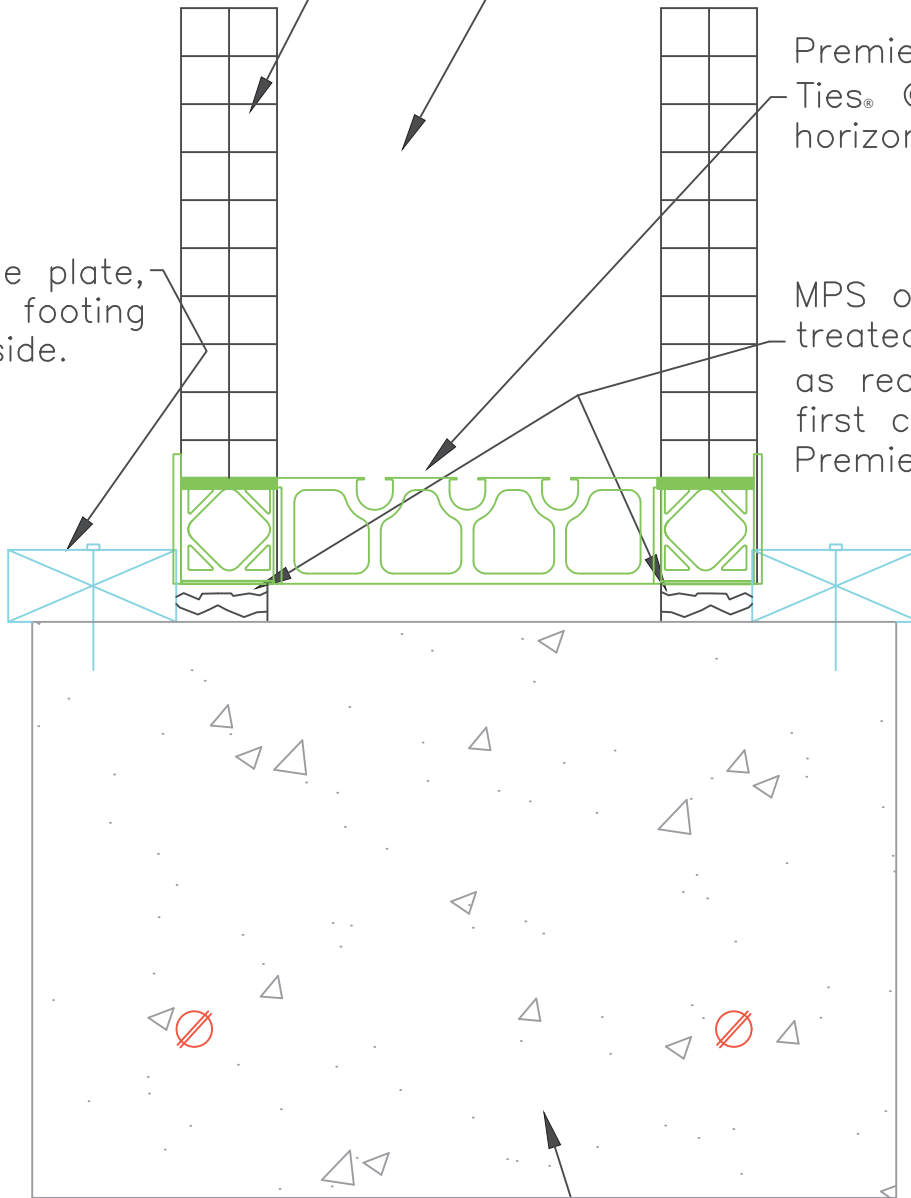
R-Shield MPS

Wall cavity for concrete.
Reinforce as req'd with
rebar horizontally and
vertically.

Premier ICF Half
Ties® @ 12" o.c.
horizontally.

2x4 toe plate,
nail to footing
each side.

MPS or pressure
treated ply shims
as req'd to level
first course of
Premier ICF system.



Note: This is an option to level
the Premier ICF System if the footing is
not quite level.

—Footing

Section

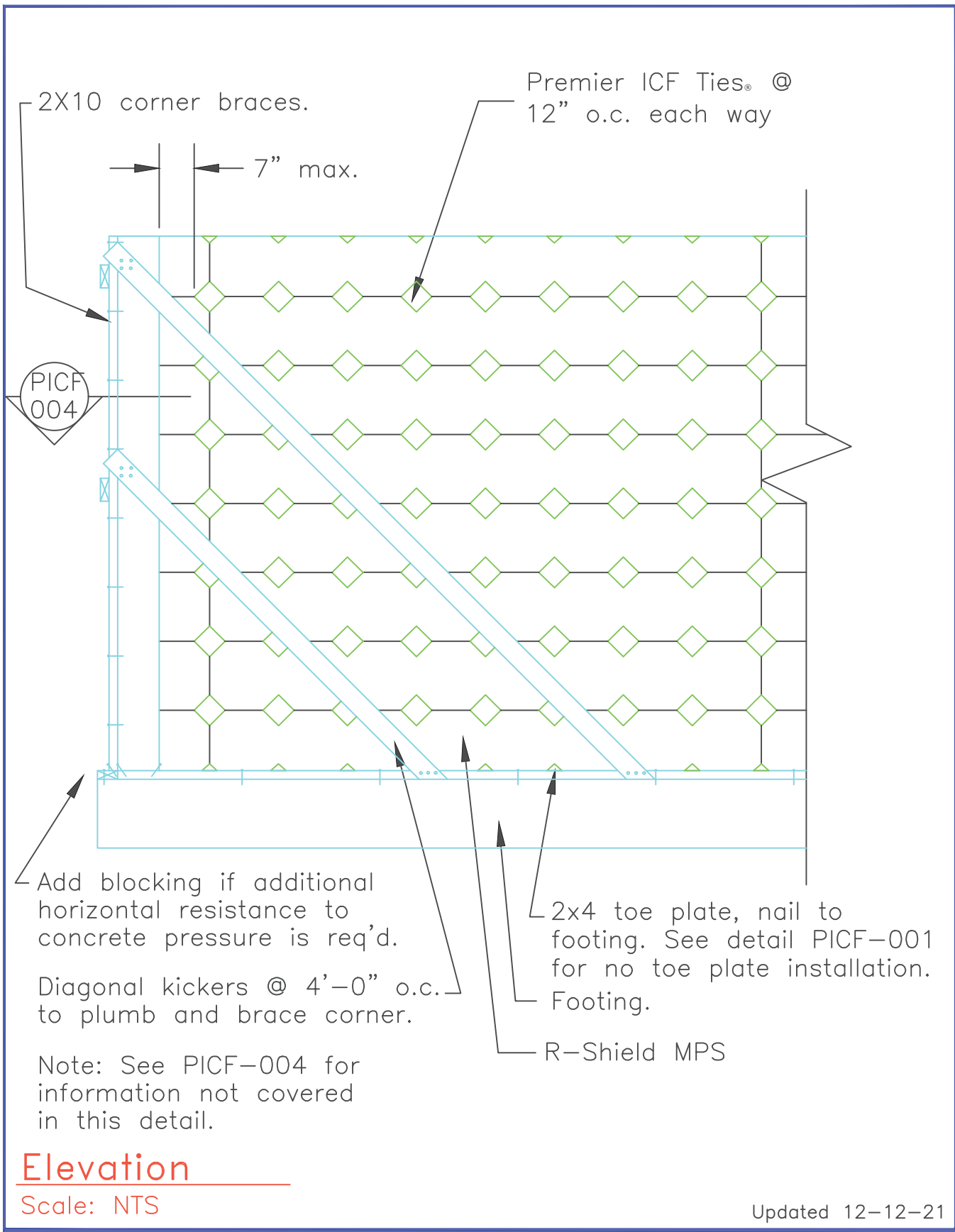
Scale: NTS

Updated 12-12-21

PREMIER ICF

TITLE:
Leveling of 1st Course

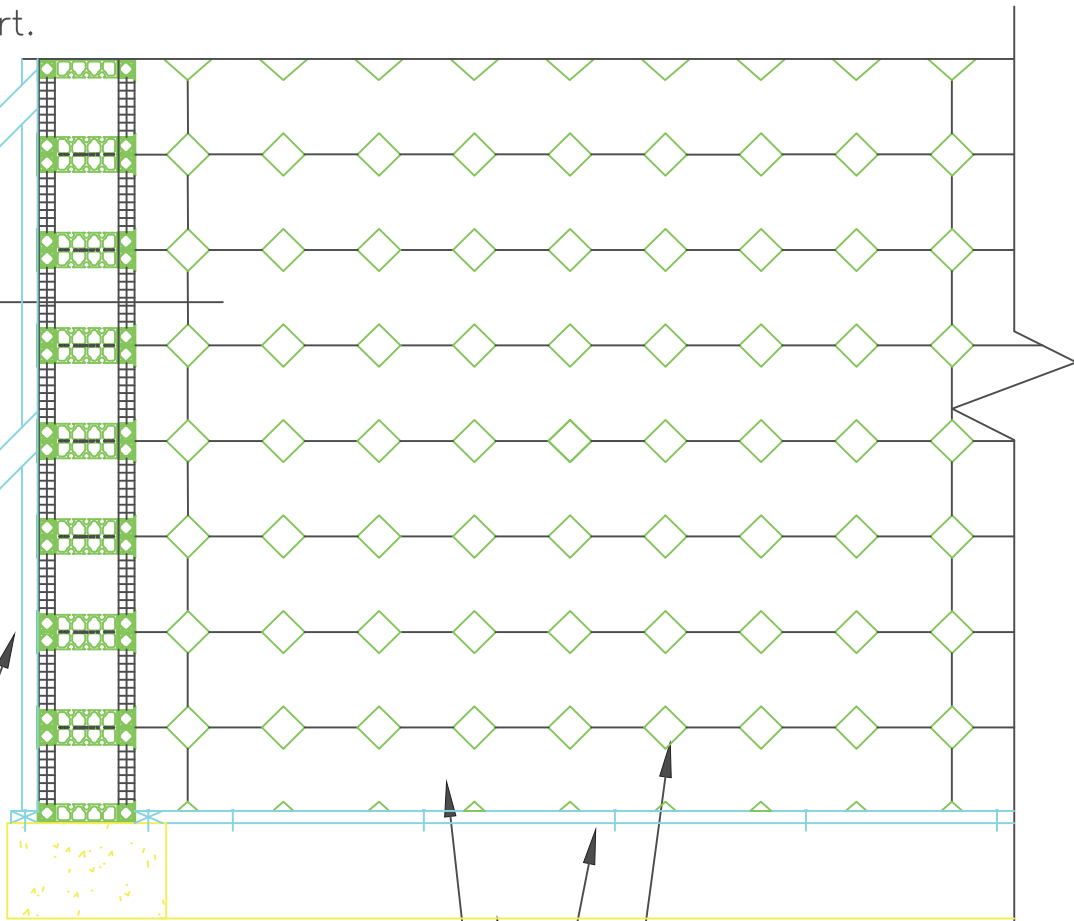
NO.
PICF-009



| | |
|--------------------------|-----------------|
| PREMIER ICF | |
| TITLE: Corner Bracing | NO. PICF-011 |

Diagonal kickers @
4'-0" o.c. vertically
to plumb and brace
L support.

PICF
005



Add blocking if additional
horizontal resistance to
concrete pressure is req'd.

2x8 angle brace to
support MPS.

Premier ICF Ties® @
12" o.c. each way
2x4 toe plate, nail to
footing. See detail PICF-001
for no toe plate installation.

Footing.

R-Shield MPS

Note: See PICF-005 for
information not covered
in this detail.

Elevation

Scale: NTS

Updated 12-12-21

PREMIER ICF

TITLE:
Wall Intersection Bracing

NO.
PICF-012

Note: Maximum unsupported MPS distance horizontally or vertically is 7".

Note: Maximum MPS notch to notch distance horizontally is 12"

R-Shield MPS field notched to accept Premier ICF Tie®
Note: Max. 6" between field notches

Factory cut notch (not used)

12" max.

Factory cut notches

MPS plank field cut to length

R-Shield MPS

Footing.

Premier ICF Ties® @ 12" o.c. each way
2x4 toe plate, nail to footing. See detail PICF-001 for no toe plate installation.

Elevation

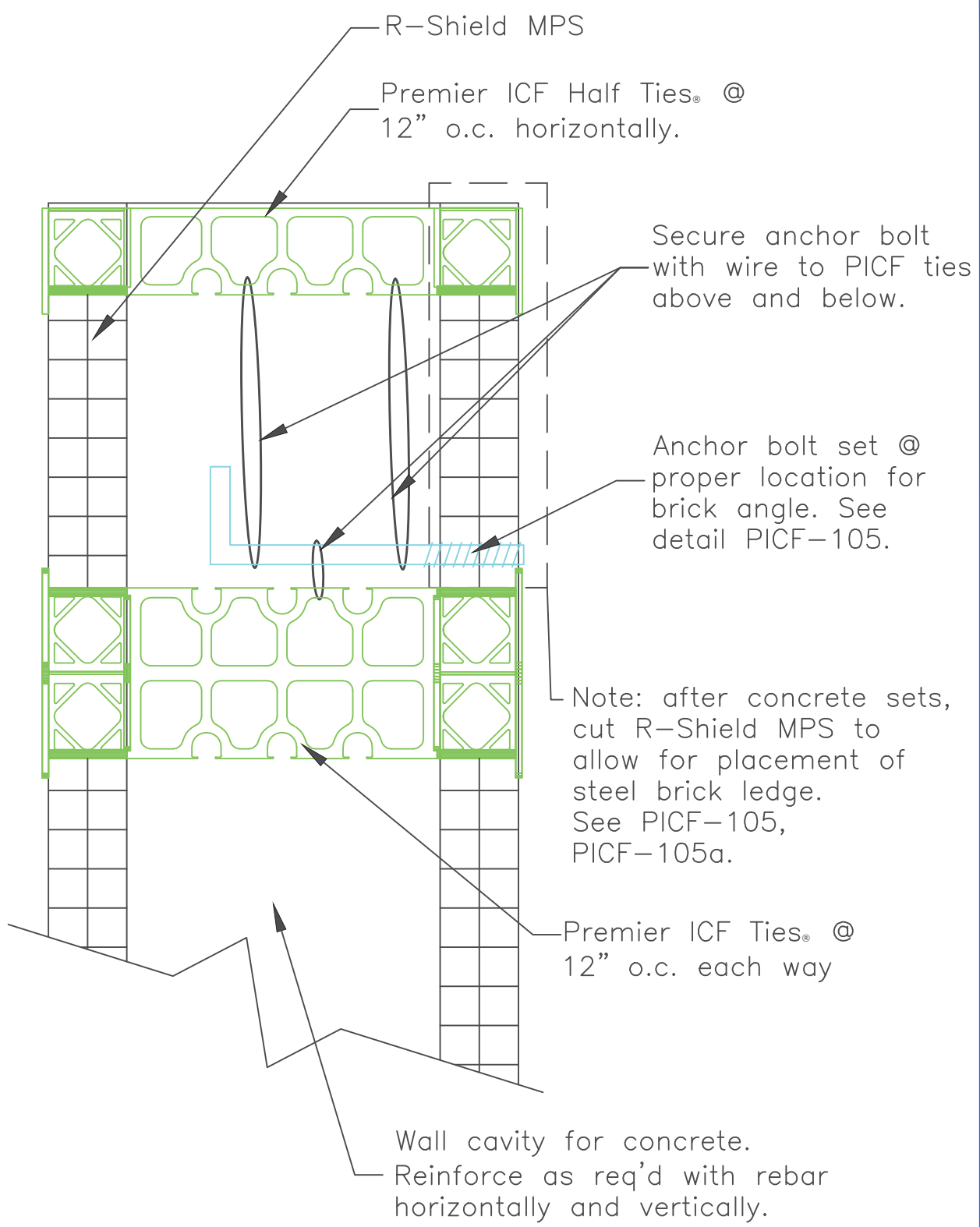
Scale: NTS

Updated 12-12-21

PREMIER ICF

TITLE: Mid Wall Diamond Snap-Tie Placement

NO. PICF-012a



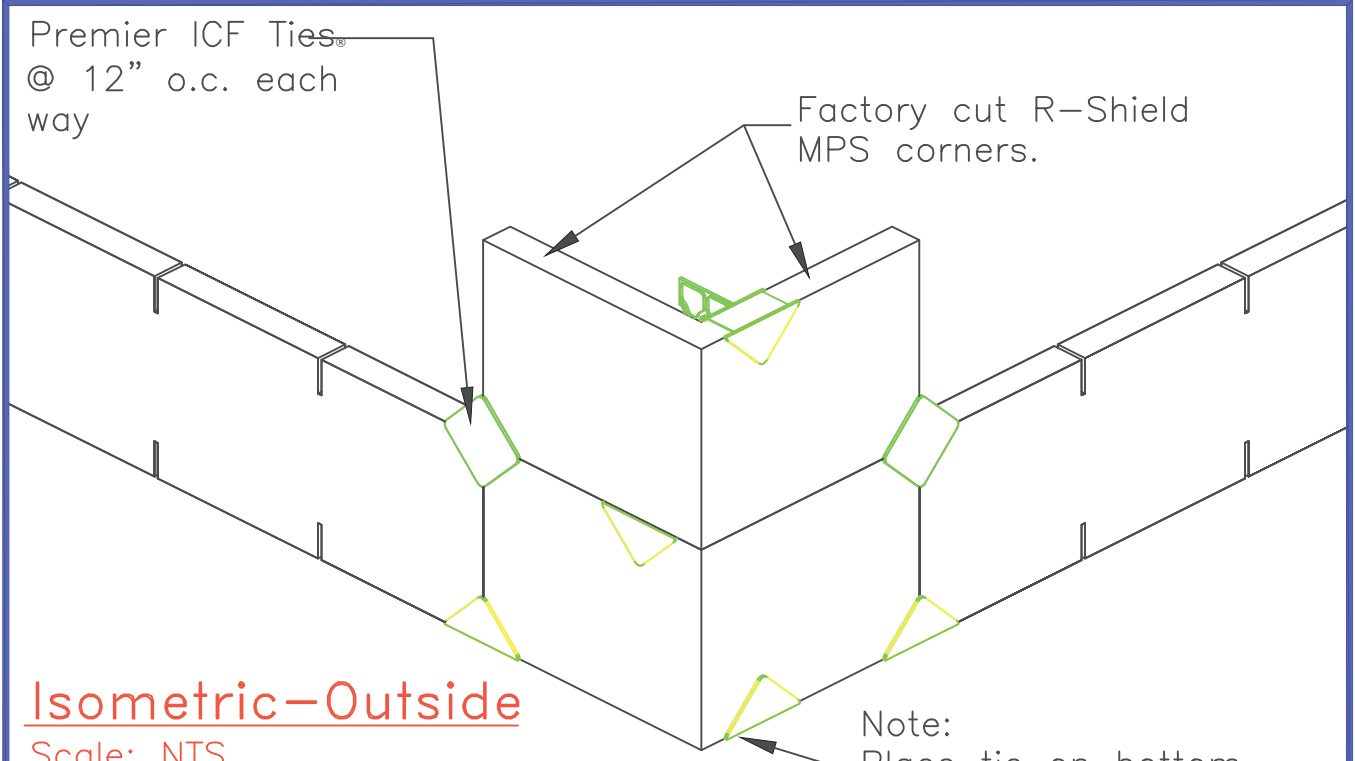
Section

Scale: NTS

Updated 12-12-21

PREMIER ICF

| | |
|---------------------------------------|-----------------|
| TITLE: Brick Ledge Angle Anchorage | NO. PICF-013 |
|---------------------------------------|-----------------|

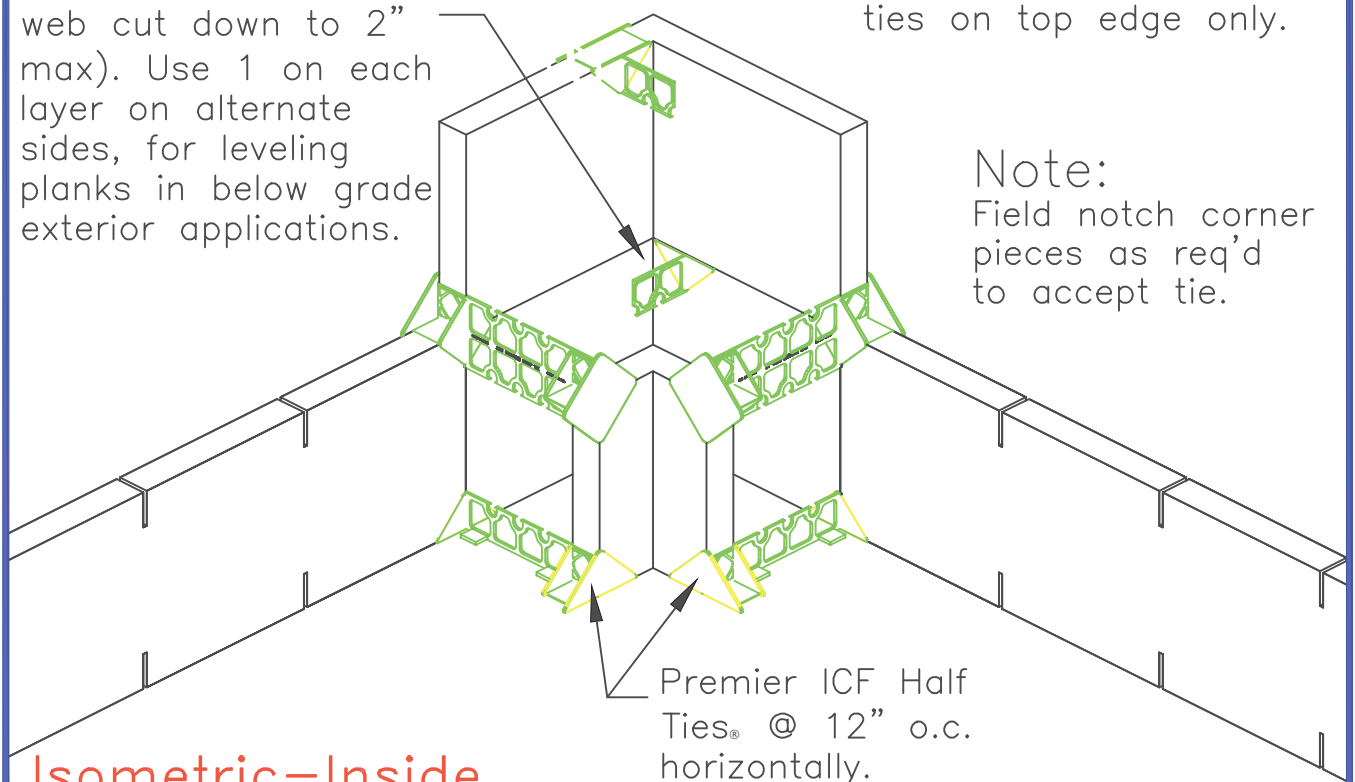


Isometric-Outside

Scale: NTS

Use Premier ICF Half Ties® or full Ties® (with web cut down to 2" max). Use 1 on each layer on alternate sides, for leveling planks in below grade exterior applications.

Note:
Place tie on bottom edge next to footing, all other layers place ties on top edge only.



Isometric-Inside

Scale: NTS

Premier ICF Half Ties® @ 12" o.c. horizontally.

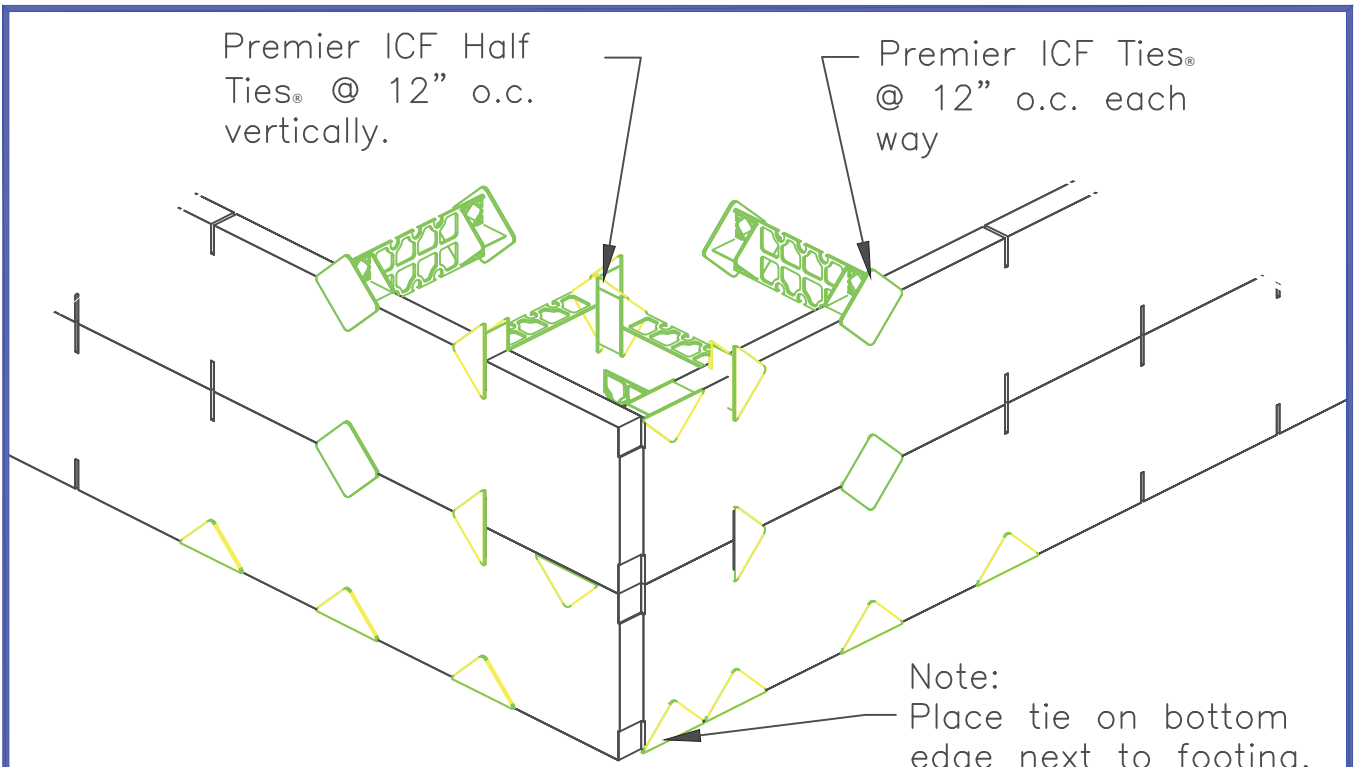
Note:
Field notch corner pieces as req'd to accept tie.

Updated 12-12-21

PREMIER ICF

TITLE: Below Grade Factory Precut Corner Application

NO. PICF-014

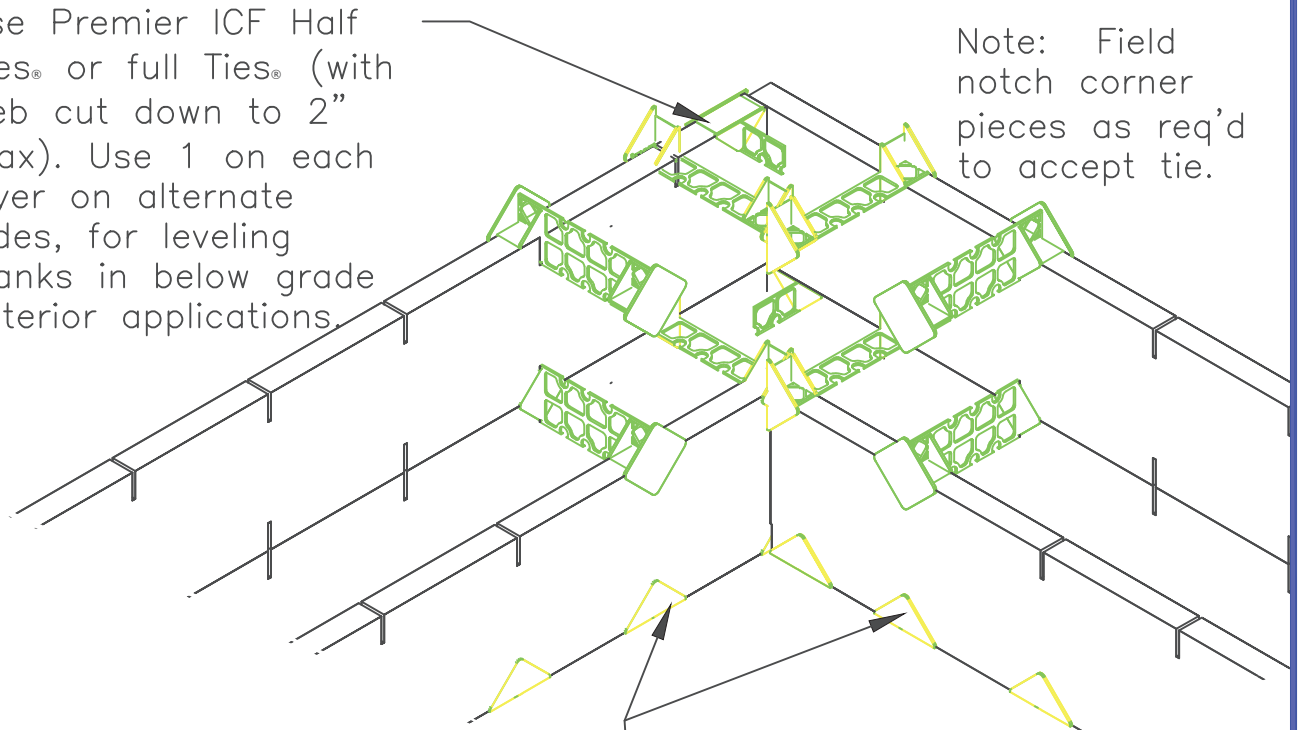


Isometric-Outside

Scale: NTS

Use Premier ICF Half Ties® or full Ties® (with web cut down to 2" max). Use 1 on each layer on alternate sides, for leveling planks in below grade exterior applications.

Note: Place tie on bottom edge next to footing, all other layers place ties on top edge only.



Isometric-Inside

Scale: NTS

Premier ICF Half Ties® @ 12" o.c. horizontally.

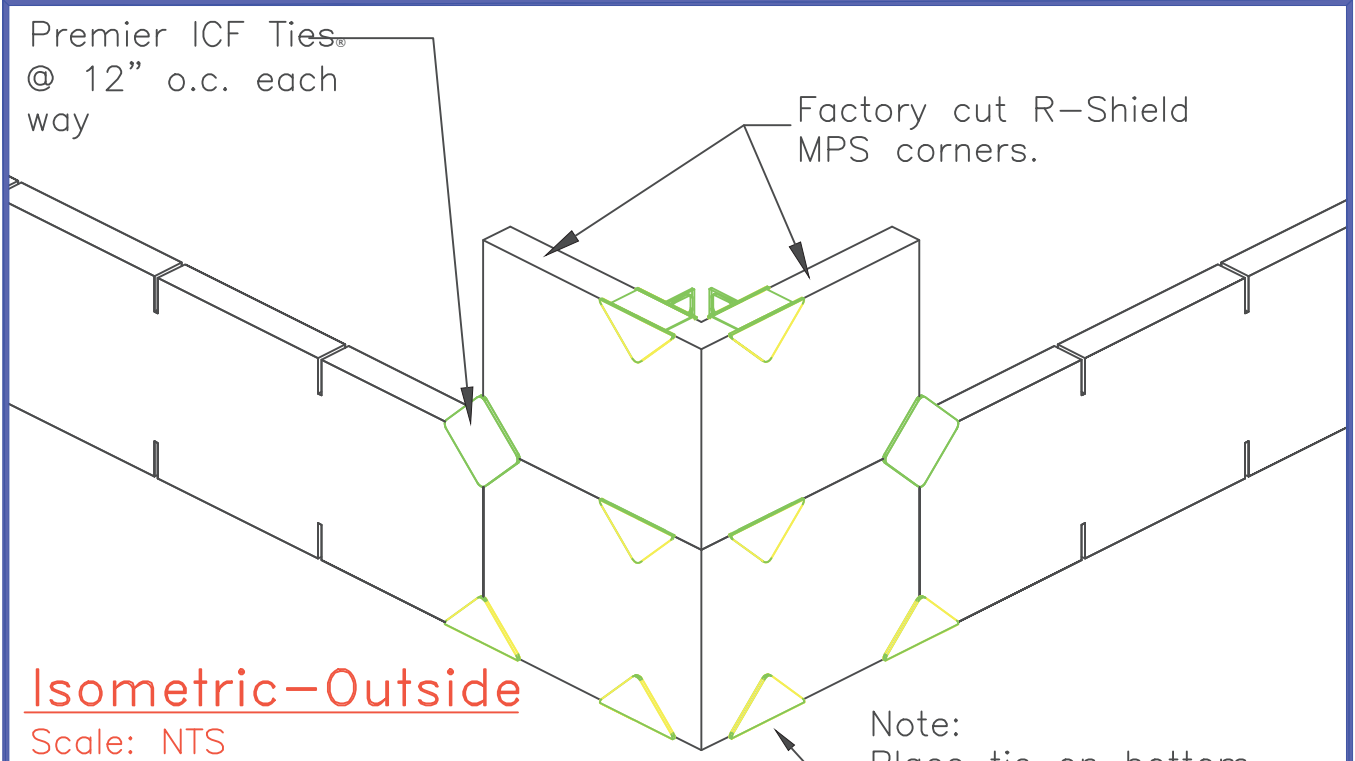
Note: Field notch corner pieces as req'd to accept tie.

Updated 12-12-21

PREMIER ICF

TITLE: Below Grade Fly By Corner Application

NO. PICF-014a

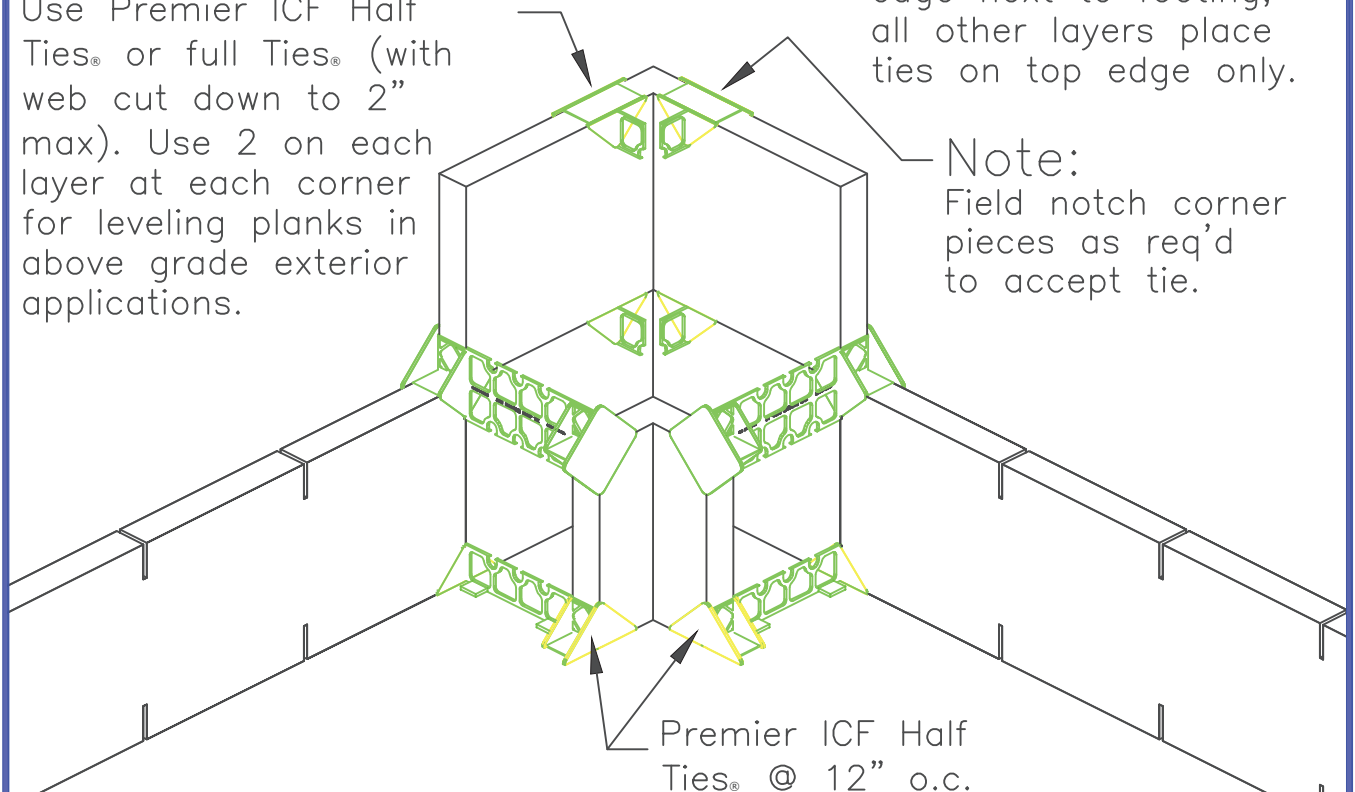


Isometric-Outside

Scale: NTS

Note:
Place tie on bottom edge next to footing, all other layers place ties on top edge only.

Use Premier ICF Half Ties® or full Ties® (with web cut down to 2" max). Use 2 on each layer at each corner for leveling planks in above grade exterior applications.



Isometric-Inside

Scale: NTS

Updated 12-12-21

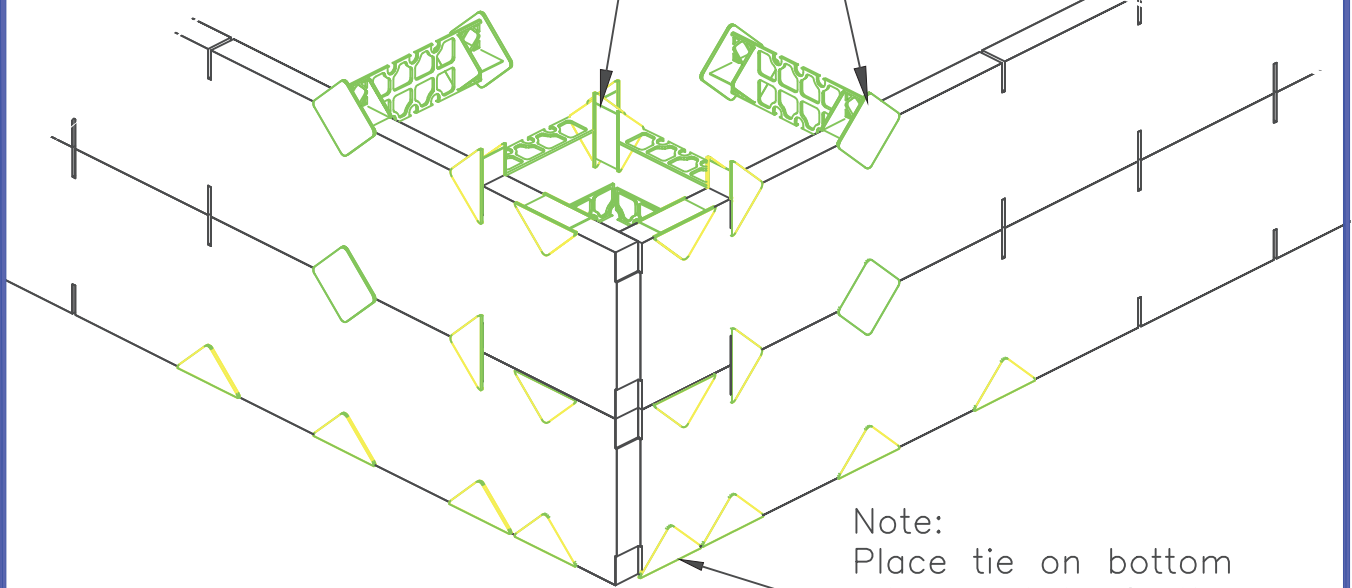
PREMIER ICF

TITLE: Above Grade Factory Precut Corner Application

NO. PICF-015

Premier ICF Half Ties® @ 12" o.c. vertically.

Premier ICF Ties® @ 12" o.c. each way



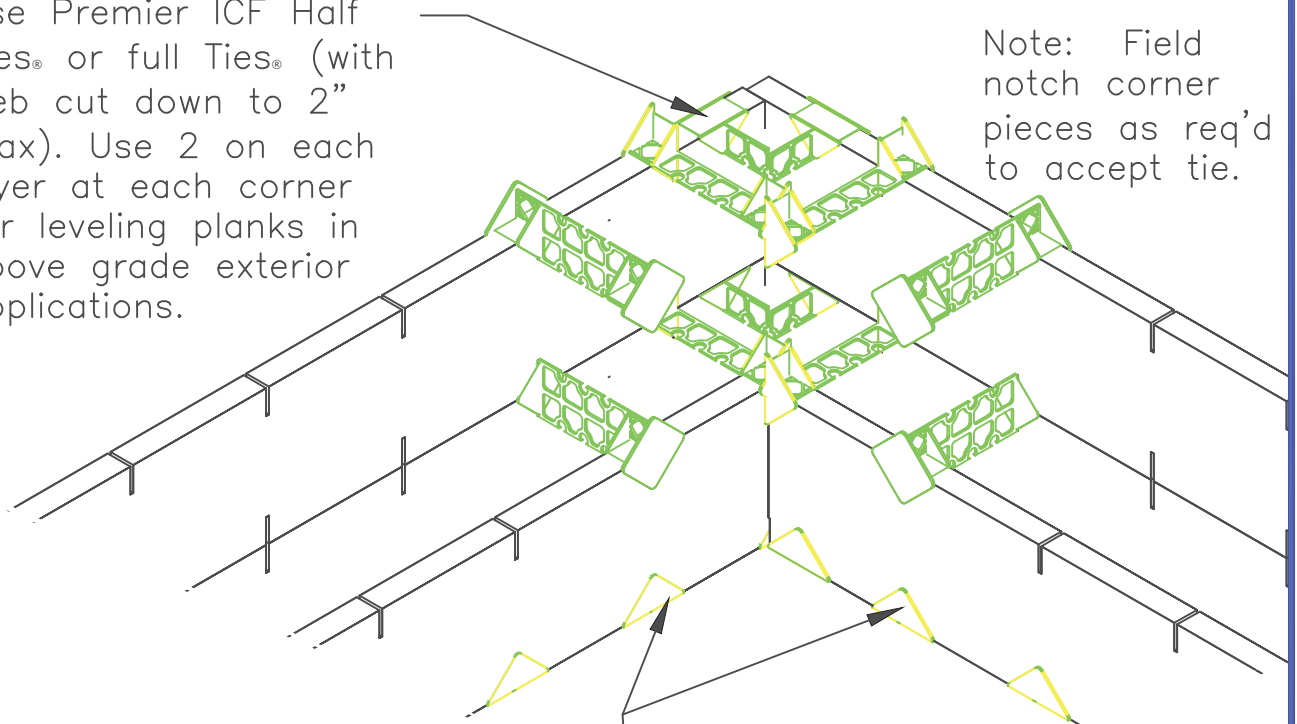
Note: Place tie on bottom edge next to footing, all other layers place ties on top edge only.

Isometric-Outside

Scale: NTS

Use Premier ICF Half Ties® or full Ties® (with web cut down to 2" max). Use 2 on each layer at each corner for leveling planks in above grade exterior applications.

Note: Field notch corner pieces as req'd to accept tie.



Premier ICF Half Ties® @ 12" o.c. horizontally.

Isometric-Inside

Scale: NTS

Updated 12-12-21

PREMIER ICF

TITLE: Above Grade Fly By Corner Application

NO. PICF-015a

Wall cavity for concrete.
Reinforce as req'd with
rebar horizontally and
vertically.

R-Shield MPS

Premier ICF Ties® @ 12"
o.c. horizontally.

Premier ICF Half
Ties® @ 12" o.c.
horizontally.

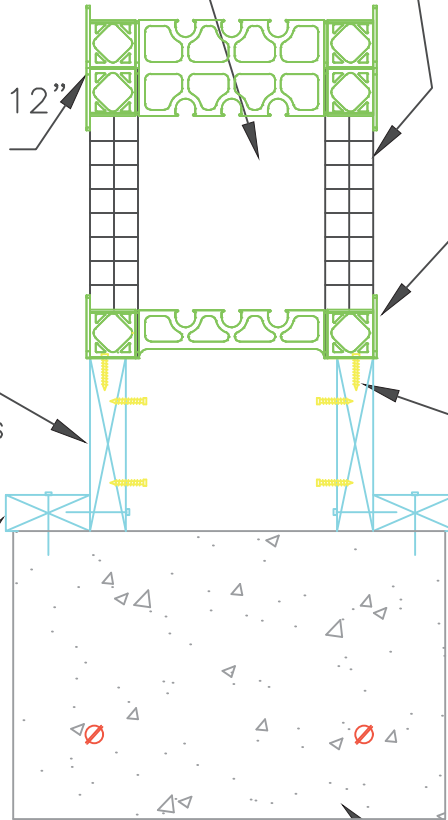
Treated 2x8 with
2-#6 drywall screws
@ 12" o.c.

#6 drywall screw
each side.

2x4 toe plate,
nail to footing
each side.

See detail PICF-114 for
interior finishing suggestion.

Footing



Section

Scale: NTS

Updated 12-12-21

PREMIER ICF

TITLE:
Baseboard Attachment

NO.
PICF-017

R-Shield MPS

Wall cavity for concrete. Reinforce as req'd with rebar horizontally and vertically.

Premier ICF Ties® @ 12" o.c. horizontally

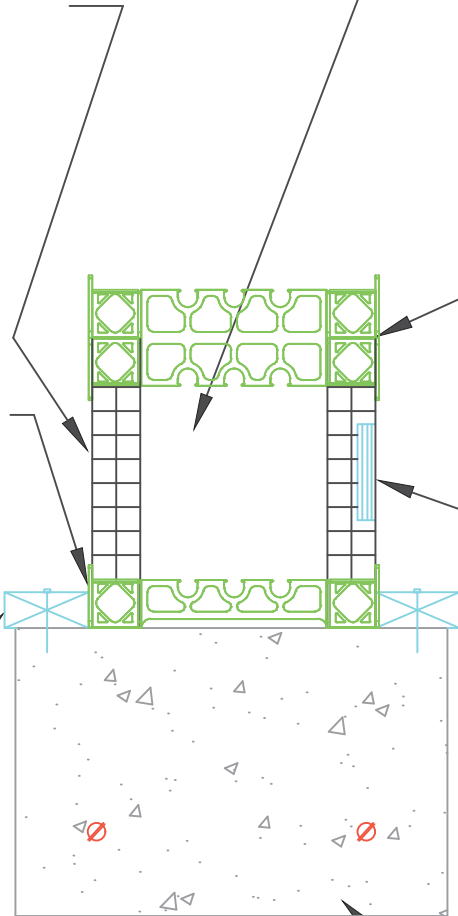
Premier ICF Snap Ties® @ 12" o.c. horizontally

3/4"x4" OSB Strip continuous fastened w/ MPS foam compatible adhesive.

2x4 toe plate, nail to footing each side. See detail PICF-001 for no toe plate installation.

See details PICF-115, PICF-116 for interior finishing suggestion.

Footing



Section

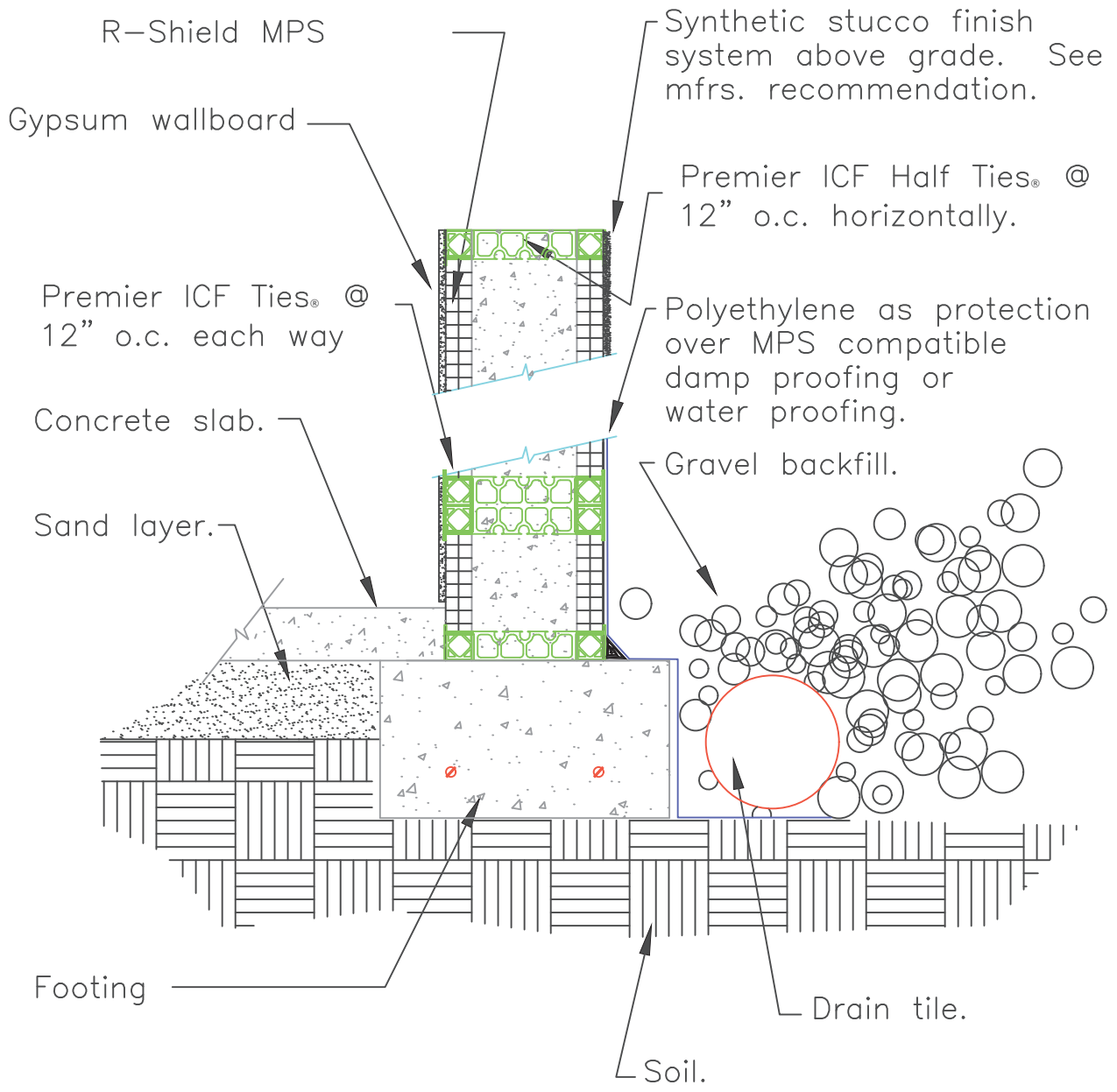
Scale: NTS

Updated 12-12-21

PREMIER ICF

TITLE:
Baseboard Attachment

NO.
PICF-018



Note: Damp proofing, water proofing and drainage as req'd. Do not use highly solvent extended coatings & mastics or coal tar pitch products on the R-Shield MPS.

SECTION

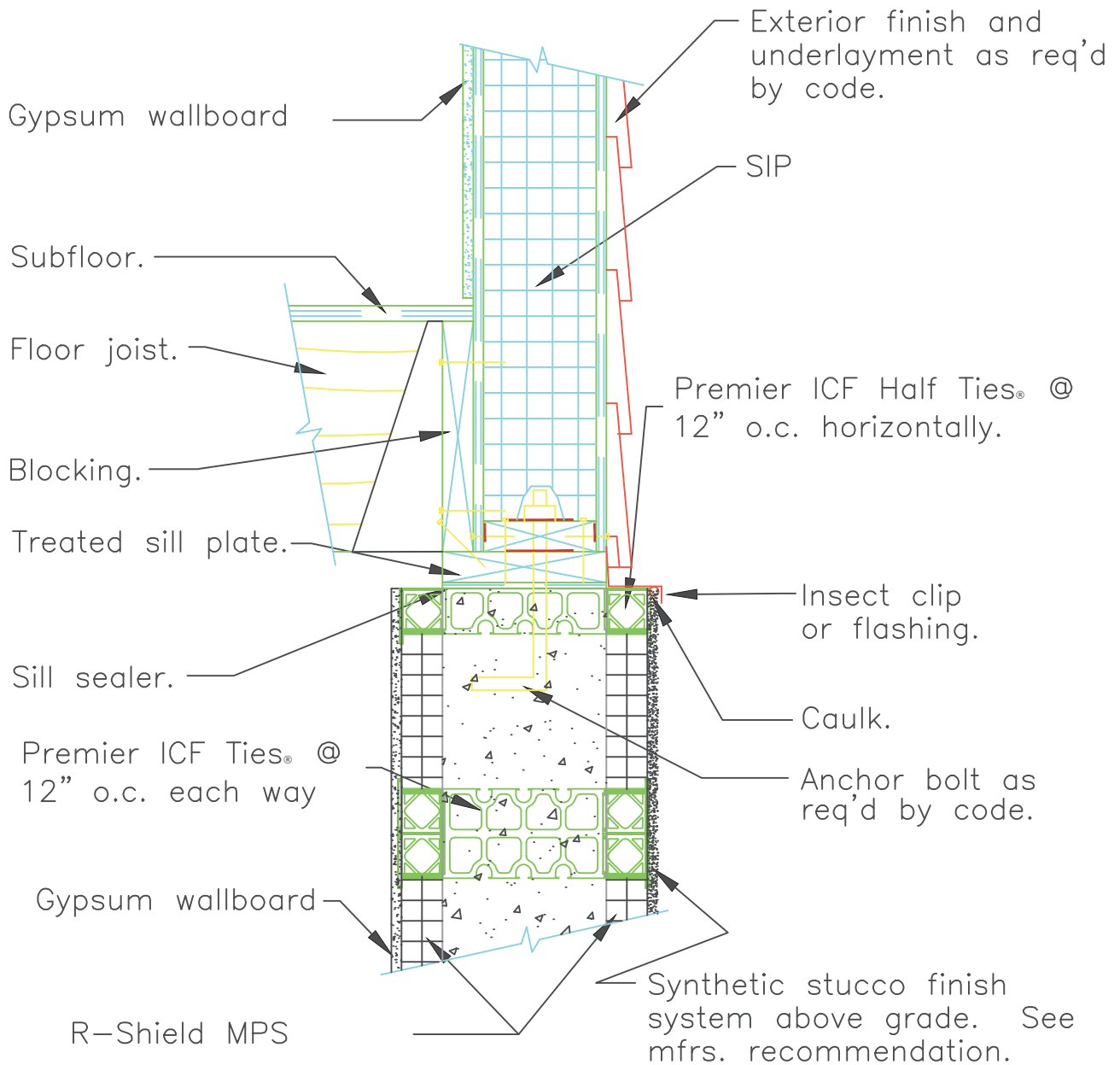
Scale: NTS

Updated 12-12-21

PREMIER ICF

TITLE:
Typical Section - Finishes

NO.
PICF-100



SECTION

Scale: NTS

Updated 12-12-21

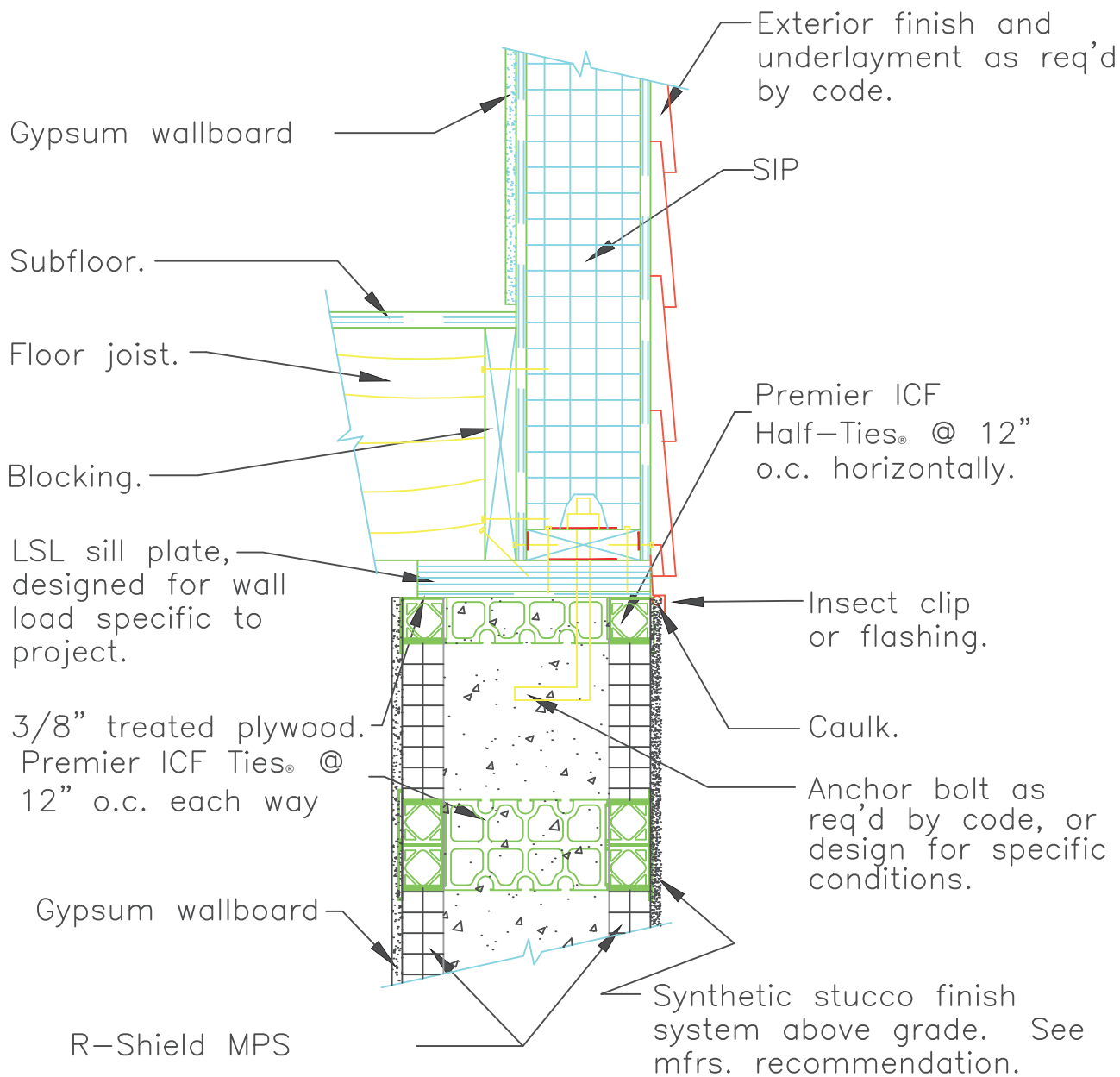
PREMIER ICF

TITLE:

Concrete Wall / Sill Plate

NO.

PICF-101



SECTION

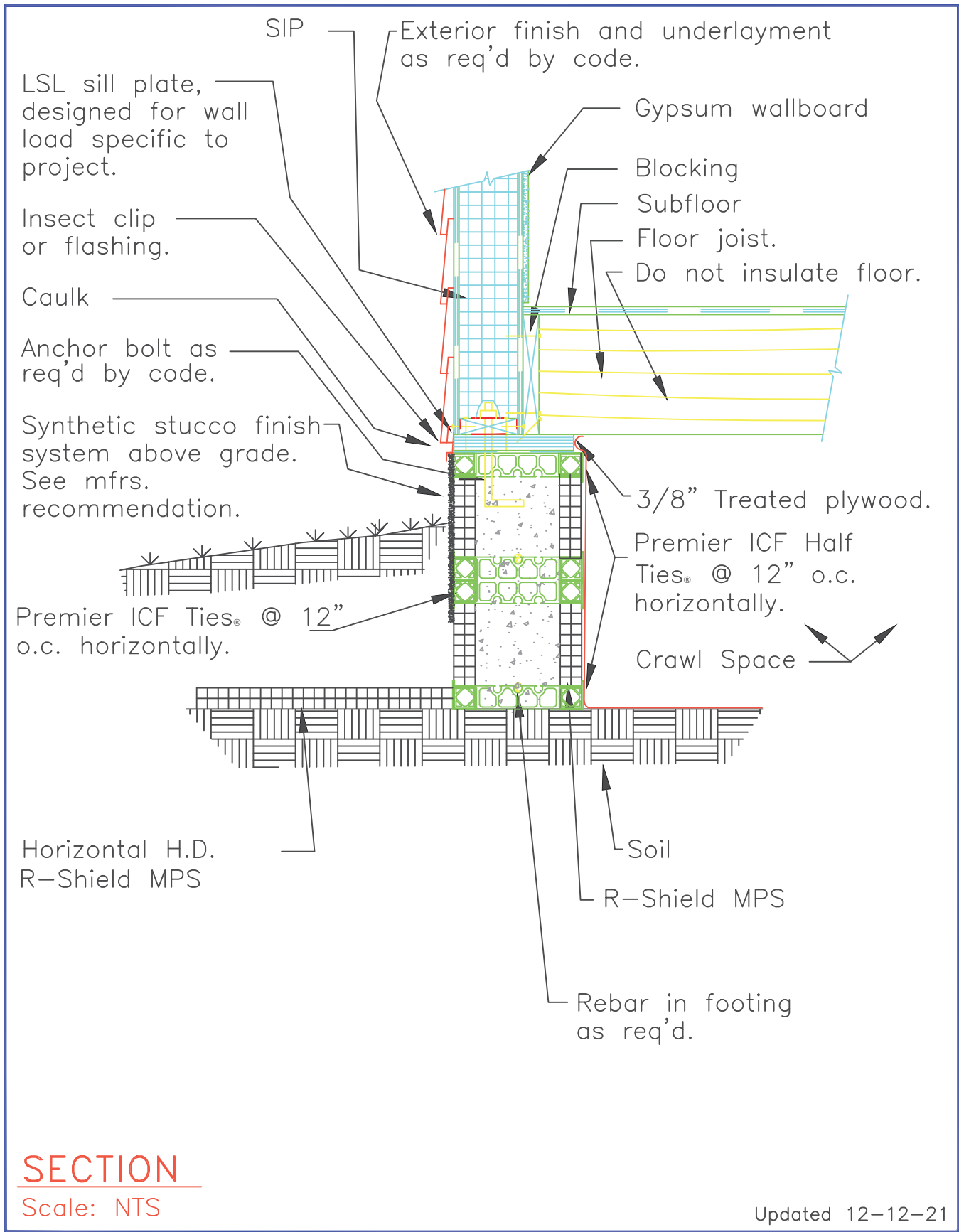
Scale: NTS

Updated 12-12-21

PREMIER ICF

TITLE:
Concrete Wall / Sill Plate

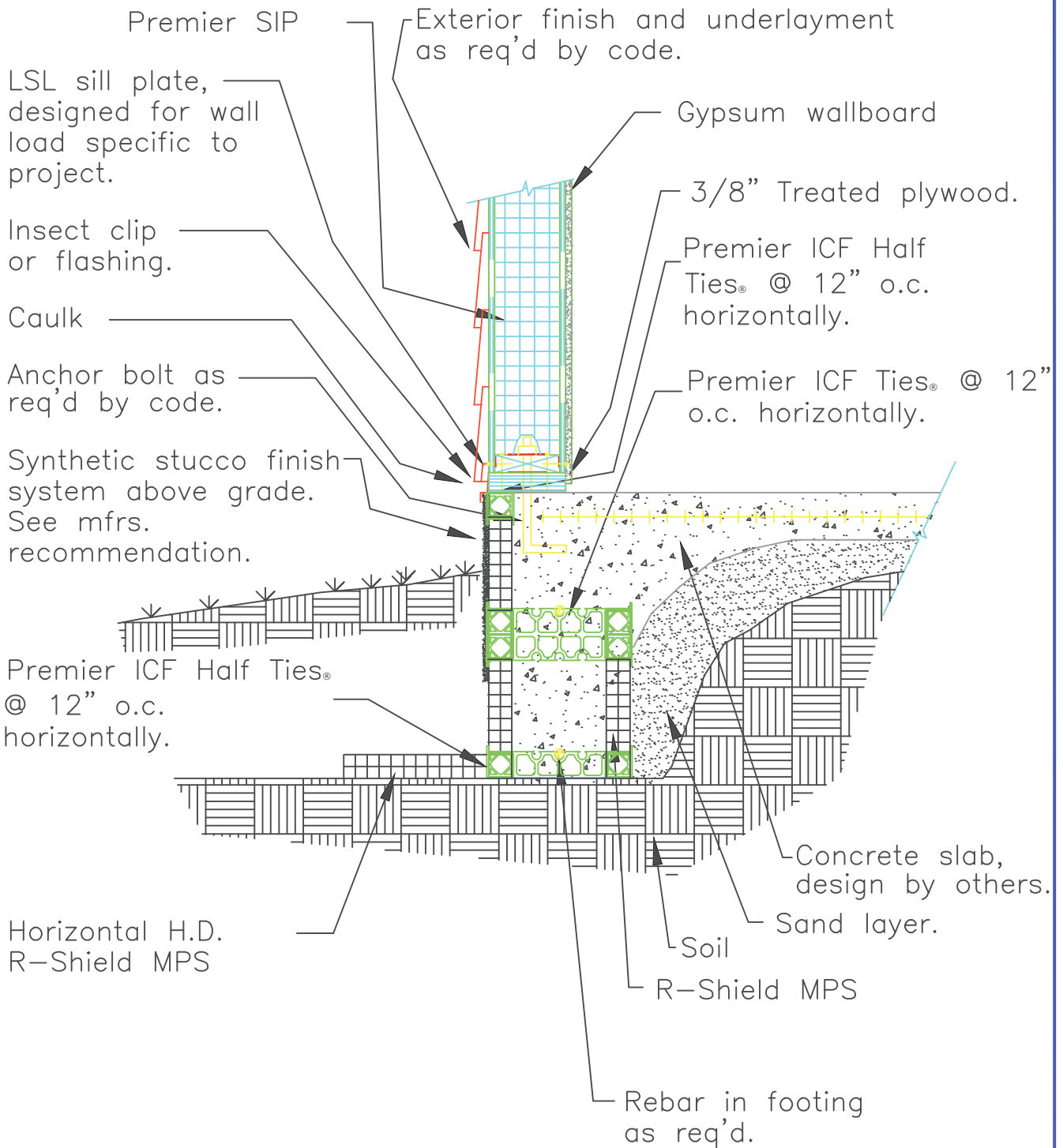
NO.
PICF-102



PREMIER ICF

TITLE:
Shallow Footing using DSF

NO.
PICF-103



SECTION

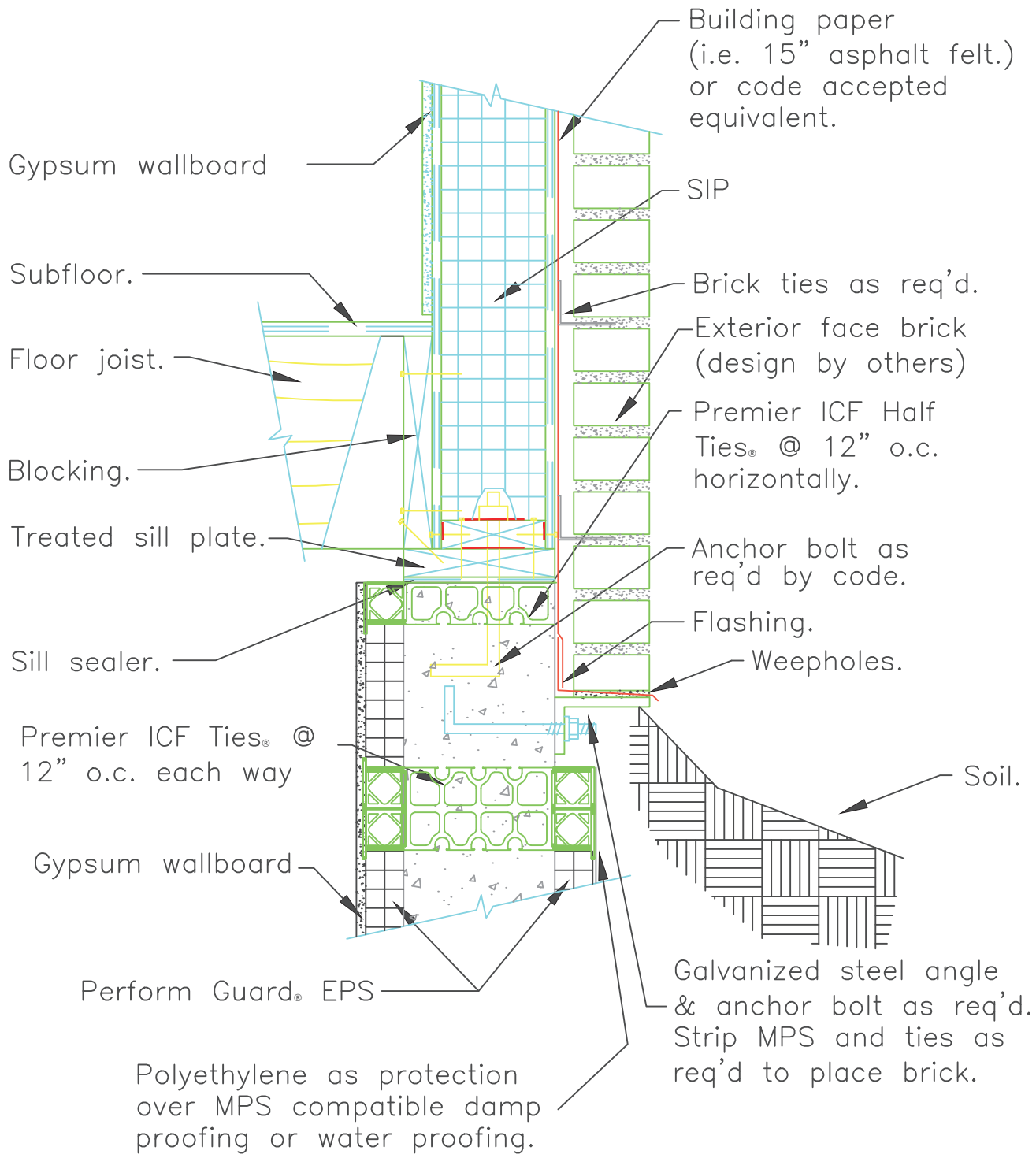
Scale: NTS

Updated 12-12-21

PREMIER ICF

TITLE: Monolithic Slab/Shallow Footing using DSF

NO. PICF-104



SECTION

Scale: NTS

Updated 12-12-21

PREMIER ICF

TITLE:
Brick Angle Anchorage

NO.
PICF-105

Lath or furring strips spaced as req'd. Fasten to concrete with concrete fasteners.

Gypsum wallboard

Premier ICF Ties® @ 12" o.c. each way

Dry wall screws as req'd into the face of ties.

R-Shield MPS

Finish cladding and underlayment as req'd by code, furring strips as req'd and installed per cladding manufacturer's recommendations.

SECTION

Scale: NTS

Updated 12-12-21

PREMIER ICF

TITLE:

Gypsum & Siding Finishes

NO.

PICF-106

EIFS WSG® MPS min. 3/4"

Gypsum wallboard

Premier ICF Ties® @
12" o.c. each way

Dry wall screws as
req'd into the face of
ties.

R-Shield MPS

EIFS adhesive.

Exterior Insulation
Finish System.

Note: Install all finish
components according to
exterior finish system
manufacturers' recommendations.

SECTION

Scale: NTS

Updated 12-12-21

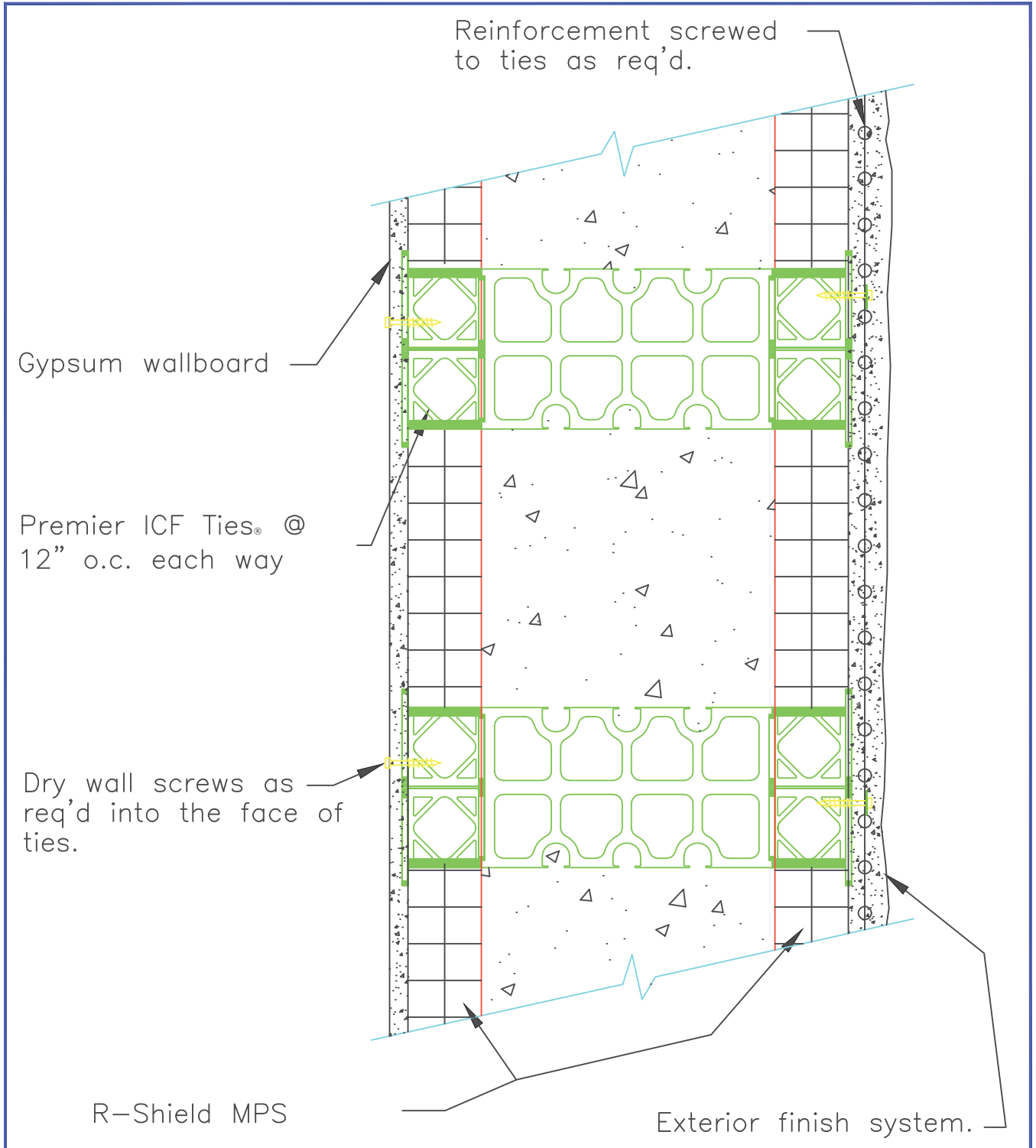
PREMIER ICF

TITLE:

Exterior Finish System

NO.

PICF-107



Note: Install all exterior finish components according to exterior finish system manufacturers' recommendations.

SECTION

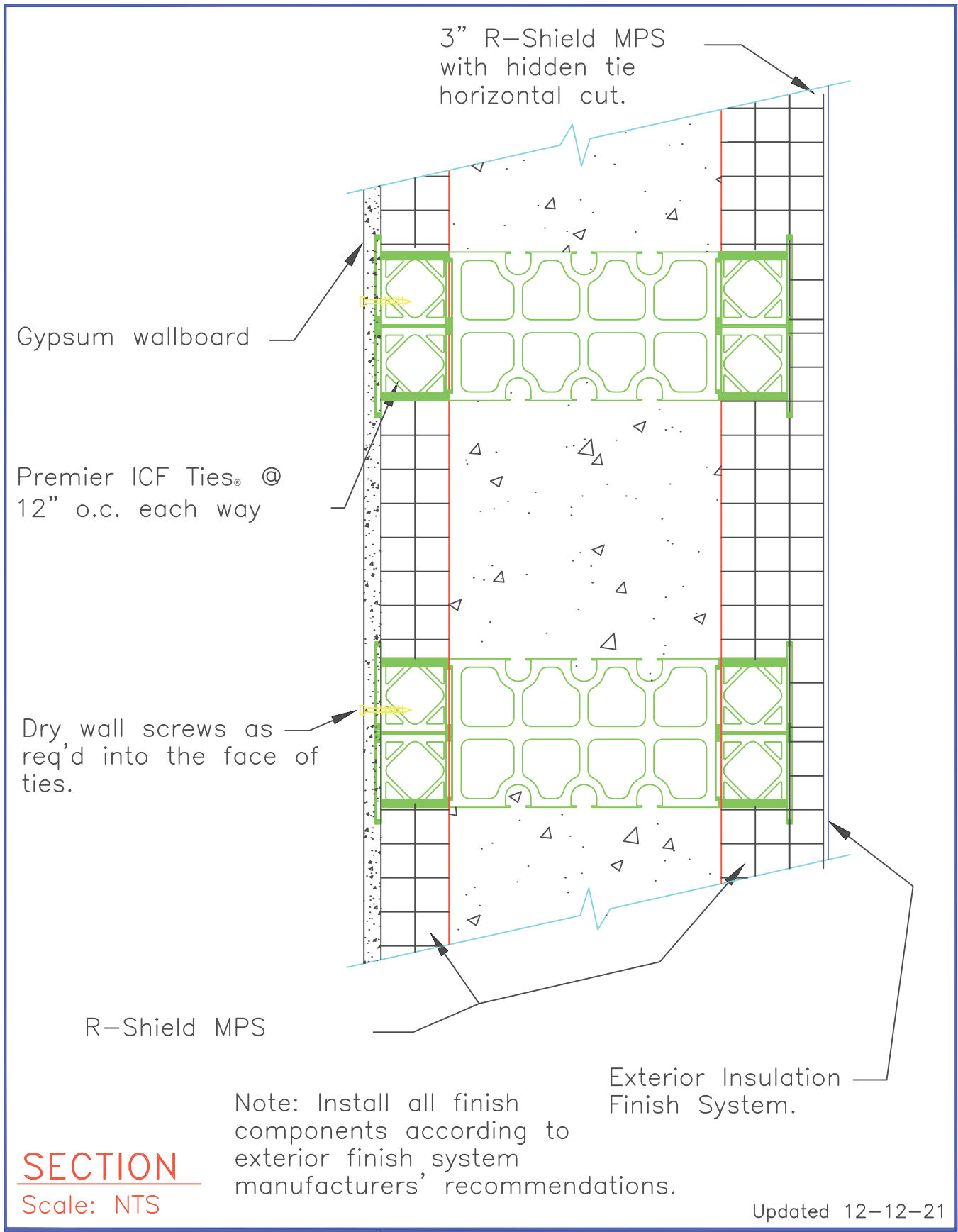
Scale: NTS

Updated 12-12-21

PREMIER ICF

TITLE:
Exterior Finish System

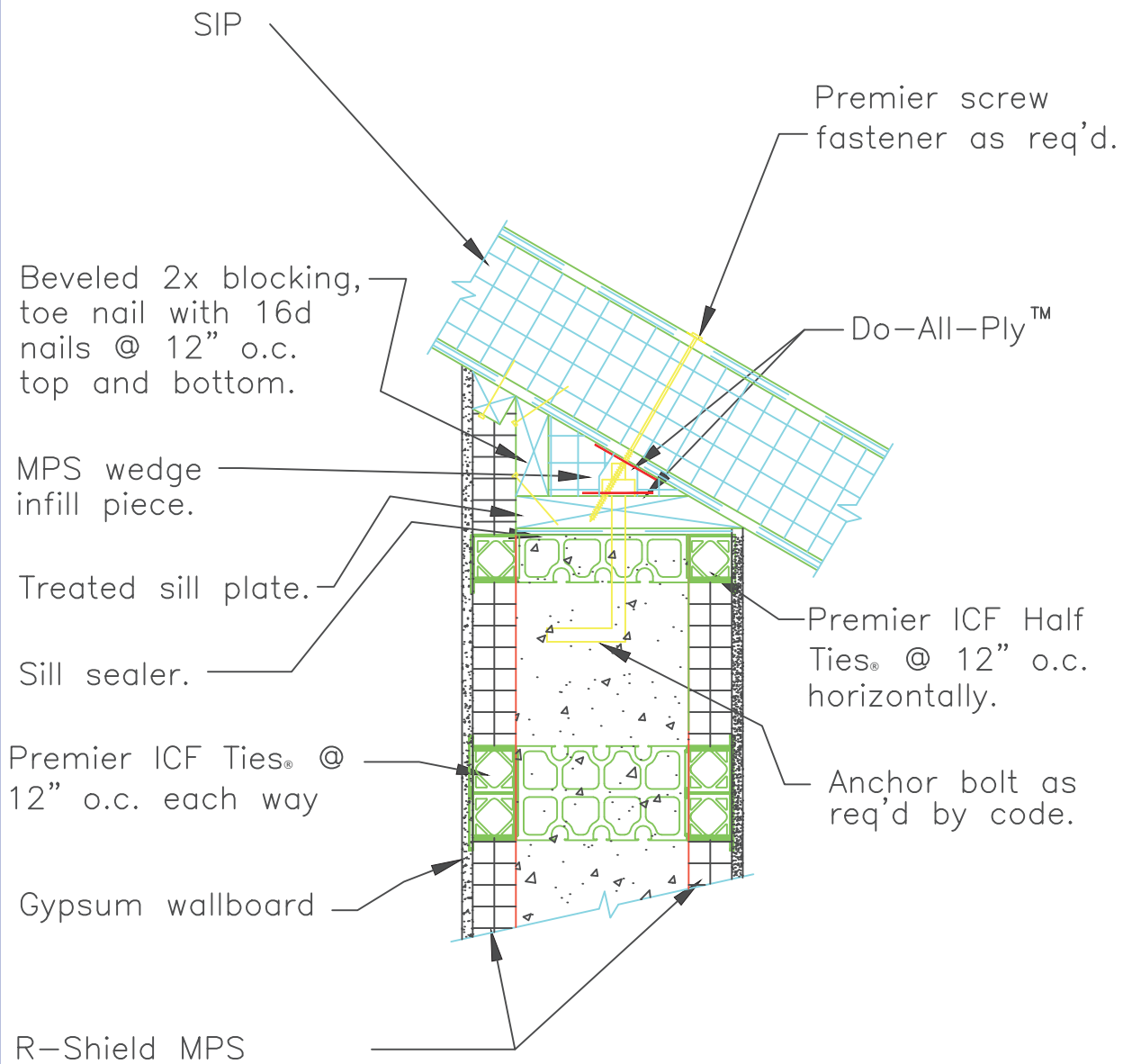
NO.
PICF-107a



PREMIER ICF

TITLE: Hidden Tie
Exterior Finish System

NO.
PICF-107b



Note: Install all exterior finish components according to exterior finish system manufacturers' recommendations.

SECTION

Scale: NTS

Updated 12-12-21

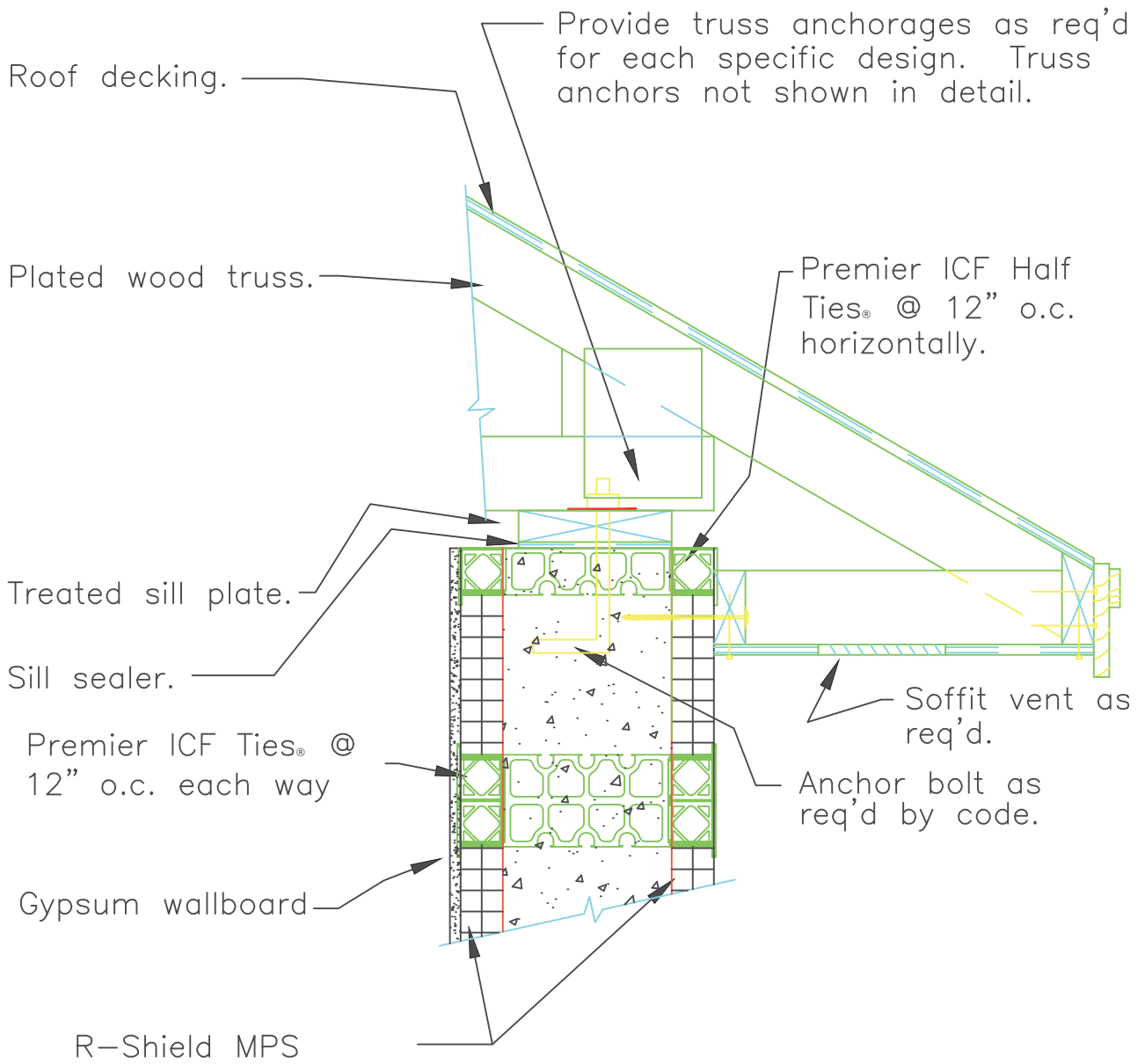
PREMIER ICF

TITLE:

ICF Wall/ SIP Roof

NO.

PICF-108



Note: Design member sizes and connections as req'd for each condition and/or project.

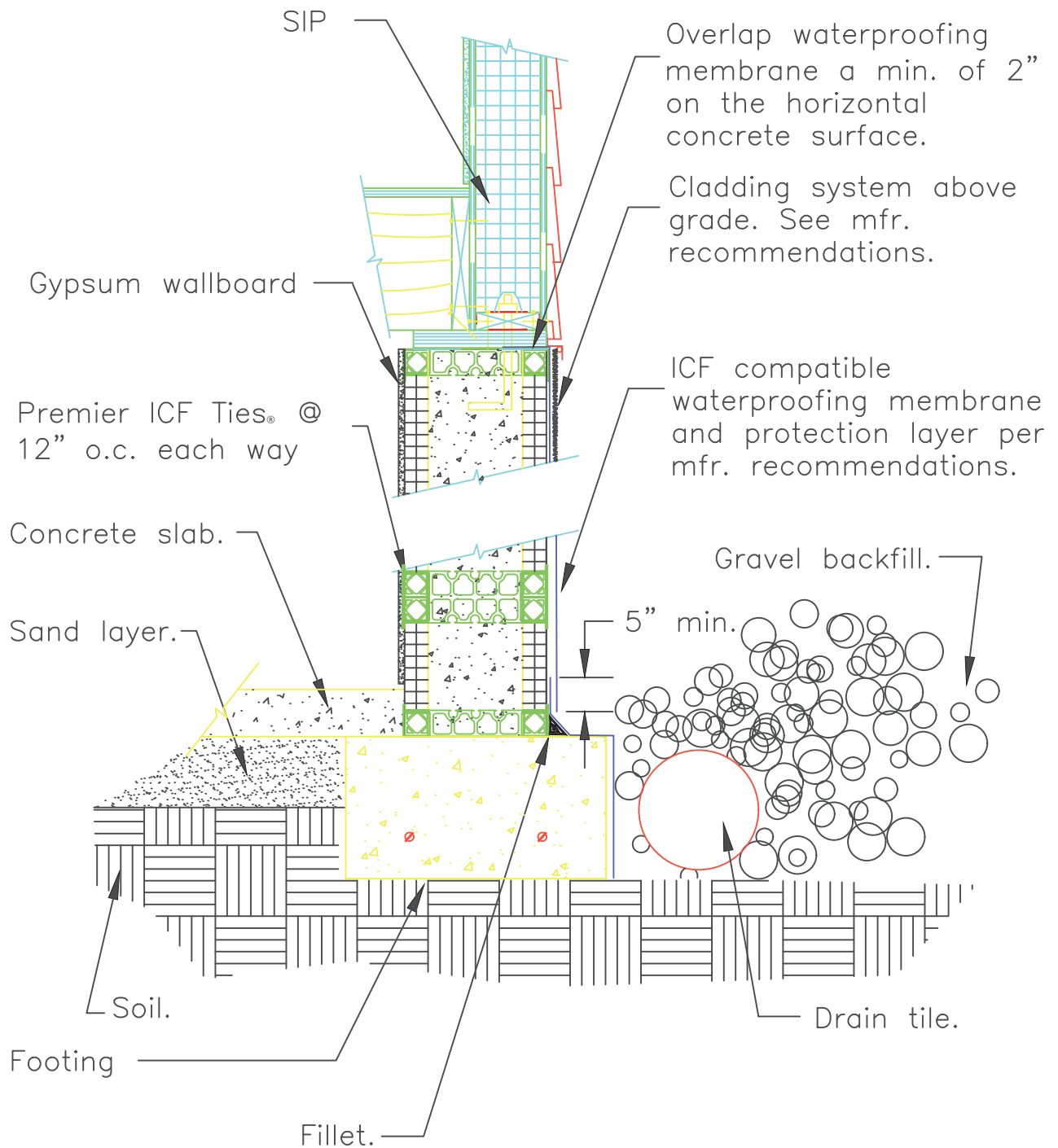
SECTION

Scale: NTS

Updated 12-12-21

PREMIER ICF

| | | |
|--------|--------------------------|-----------------|
| TITLE: | ICF Wall / Truss Roof | NO. PICF-109 |
|--------|--------------------------|-----------------|



SECTION

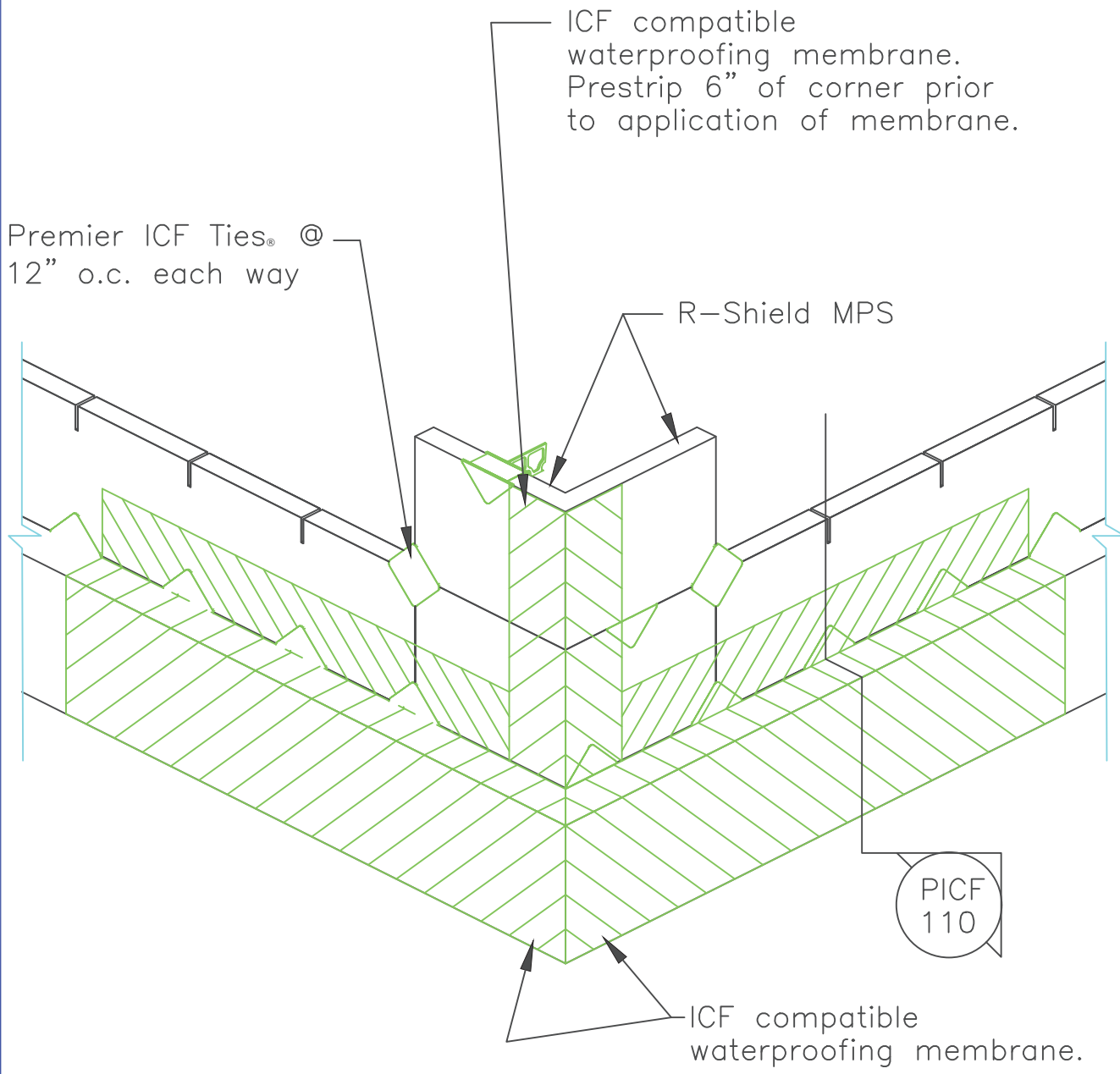
Scale: NTS

Updated 12-12-21

PREMIER ICF

TITLE:
ICF Sheet Waterproofing

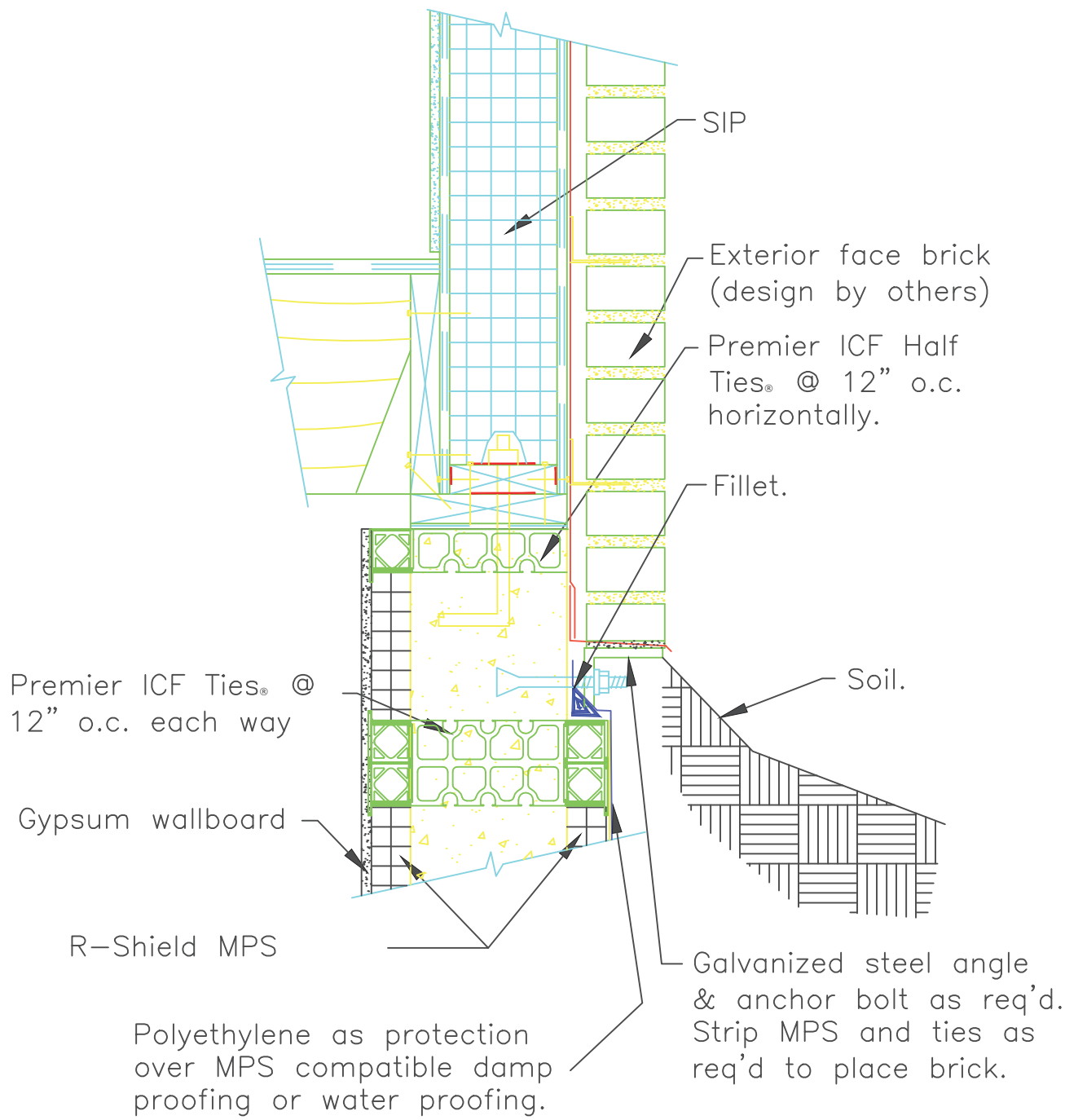
NO.
PICF-110



Isometric-Outside
 Scale: NTS

Updated 12-12-21

| | |
|---|-----------------|
| PREMIER ICF | |
| TITLE: ICF Sheet Waterproofing at Corner | NO. PICF-111 |



SECTION

Scale: NTS

Updated 12-12-21

PREMIER ICF

TITLE: ICF Sheet
Waterproofing at Brick Angle

NO.
PICF-112

Premier ICF Ties® @
12" o.c. each way

Subfloor &
finished floor.

Expansion bolt as
req'd by specific
design.

Treated ledger
beam as req'd by
specific design.

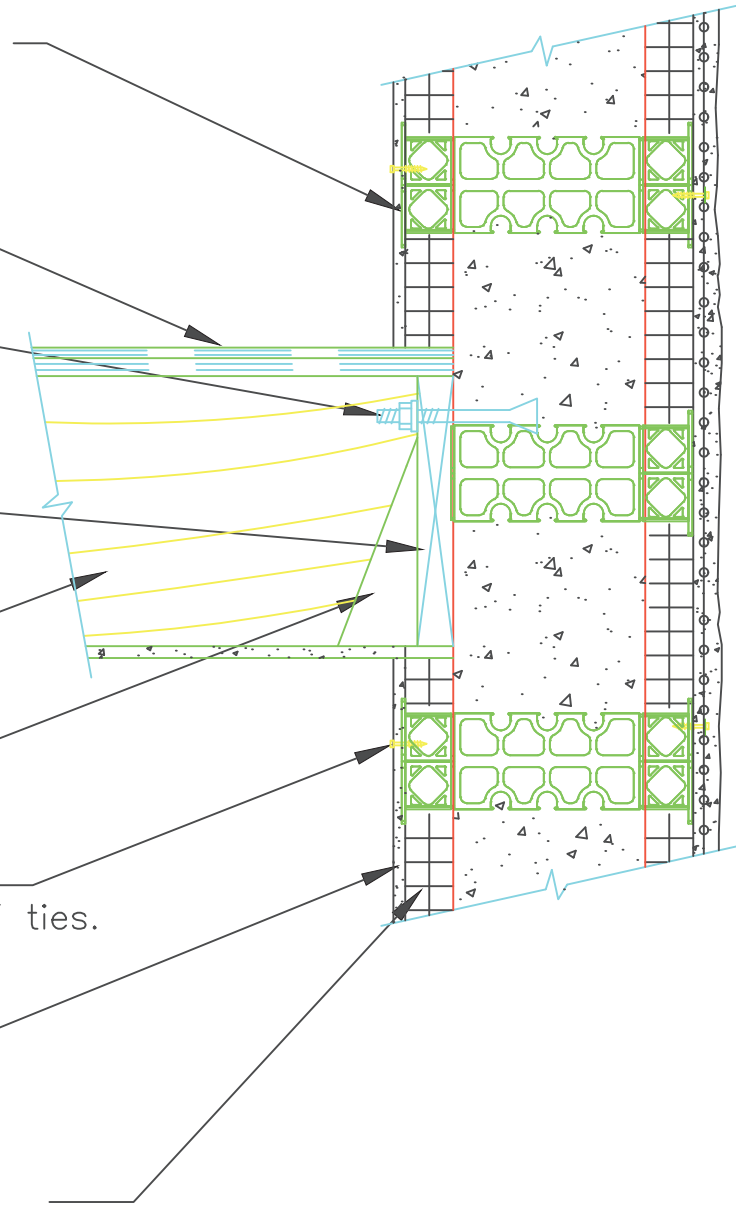
Floor joist.

Joist hanger nail
as req'd.

Dry wall screws as
req'd into the face of ties.

Gypsum wallboard

R-Shield MPS



SECTION

Scale: NTS

Updated 12-12-21

PREMIER ICF

TITLE:
Ledger Supported Floor

NO.
PICF-113

Treated sill plate

Premier ICF Half Ties®
@ 12" o.c. horizontally.

Ledger board

Subfloor

Floor joist

Joist hanger

Simpson ICFVL-C (or
ICFVL-CW) or equivalent w/
8 Simpson ICF-D3.62 screws
or equivalent as req'd.

Simpson ICFVL connector
plate or equivalent pressed
into face of MPS. Secure
to nearest Premier ICF ties
with wire.

Premier ICF Ties® @
12" o.c. each way

Anchor bolt as
req'd. by code.

Sill Sealer

4" MIN.

R-Shield MPS

Note 1: Design member sizes & connections as
req'd for each condition and/or project.

Note 2: At ledger joint locations provide 1 ICFVL
connector & 1 ICFVL-C (or ICFVL-CW) or equivalent
each side of the joint within 12" of the joint.

SECTION

Scale: NTS

Updated 12-12-21

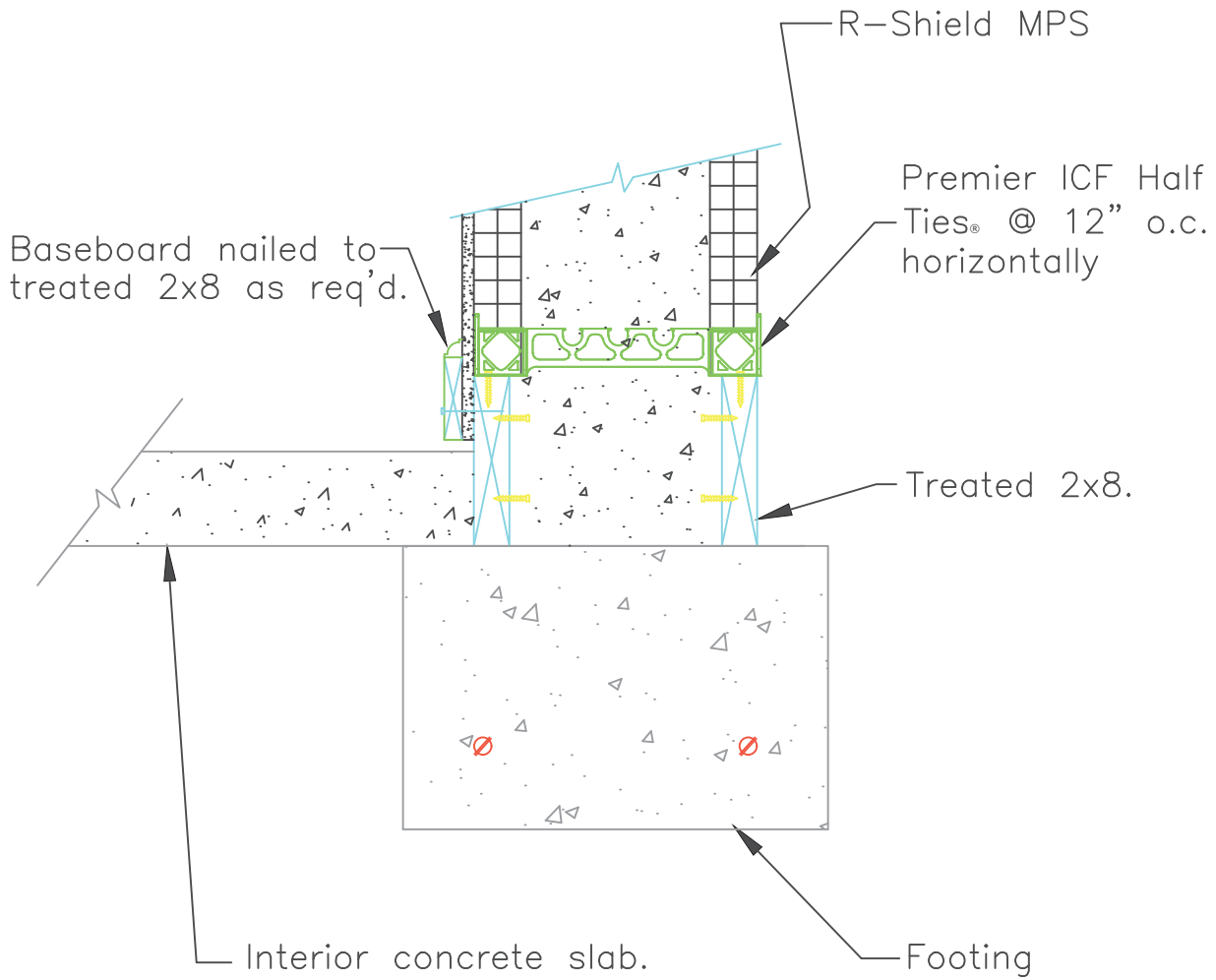
PREMIER ICF

TITLE:

Ledger Supported Floor

NO.

PICF-113a



Section

Scale: NTS

Updated 12-12-21

PREMIER ICF

TITLE:
Baseboard Attachment

NO.
PICF-114

R-Shield MPS
(finish not shown)

Premier ICF Half
Ties® @ 12" o.c.
horizontally

Premier ICF Ties® @
12" o.c. horizontally.

3/4"x4" OSB strip
continuous with MPS
foam compatible
adhesive.

Baseboard nailed to
OSB strip.

Interior concrete
slab.

Footing

Section

Scale: NTS

Updated 12-12-21

PREMIER ICF

TITLE:
Baseboard Attachment

NO.
PICF-115

R-Shield MPS
(finish not shown)

Premier ICF Ties® @
12" o.c. horizontally.

Gypsum wallboard

Premier ICF Ties®
@ 12" o.c.
horizontally

Baseboard nailed to
treated plywood strip.

Interior concrete
slab.

Treated plywood
glued to MPS with
MPS foam
compatible adhesive.

Footing

Section

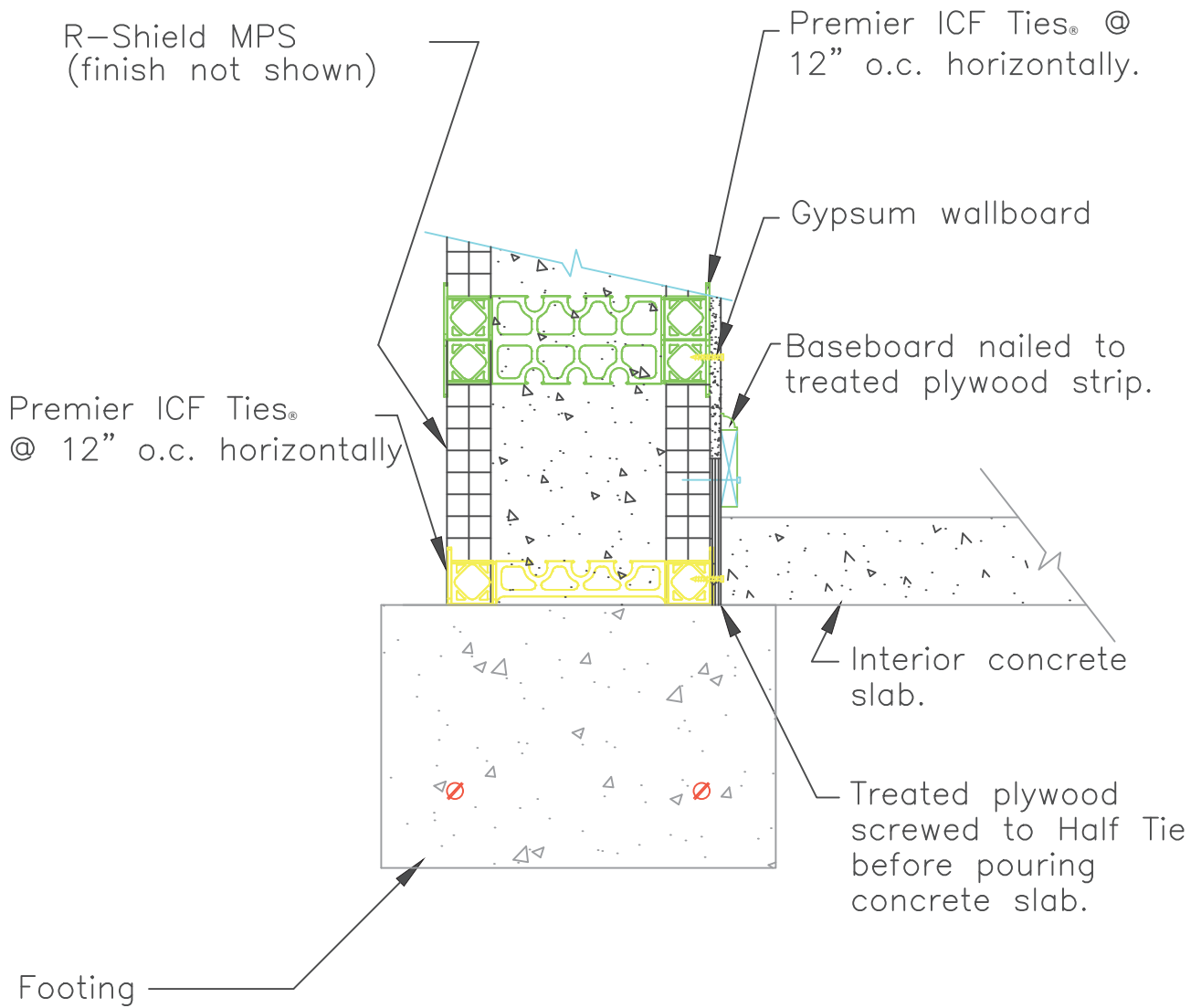
Scale: NTS

Updated 12-12-21

PREMIER ICF

TITLE:
Baseboard Attachment

NO.
PICF-116



Section

Scale: NTS

Updated 12-12-21

PREMIER ICF

TITLE:
Baseboard Attachment

NO.
PICF-117